

MPOWER



MANUAL DE PARTES MOTOR 6.5HP 168F-2B

MOTORES 



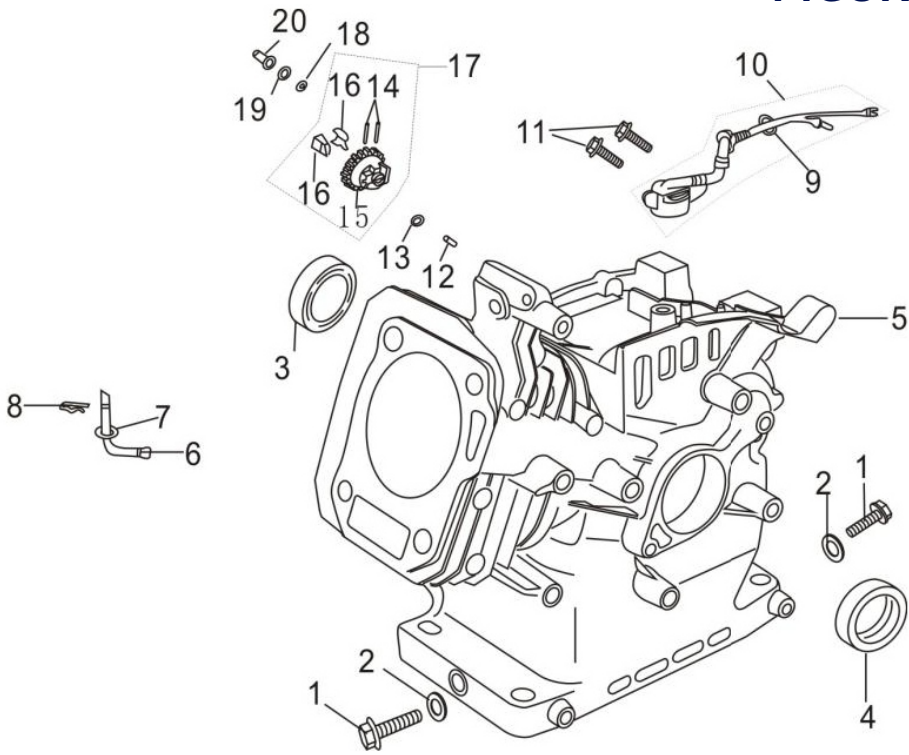
www.mpower.com.mx

MOTOR 6.5 HP 168F-2B

E-1	▶ CRANKCASE ASSY	PAG 03
E-2	▶ CRANKCASE COVER ASSY	PAG 04
E-3	▶ CYLINDER HEAD & CYLINDER HEAD COVER ASSY	PAG 05
E-4	▶ CRANKSHAFT, PISTON & CONNECTING	PAG 06
E-5	▶ COMBINATION OF CAM SHAFT & VALVE ROCKER	PAG 07
E-6	▶ CARBURETOR ASSY	PAG 08
E-7	▶ FUEL TANK ASSY	PAG 10
E-8	▶ AIR CLEANER ASSY	PAG 11
E-9	▶ MUFFLER	PAG 12
E-10	▶ RECOIL STARTER	PAG 13
E-11	▶ REGULATING CONTROL SYSTEM	PAG 14
E-12	▶ FLYWHEEL	PAG 15
E-13	▶ IGNITION COIL	PAG 16

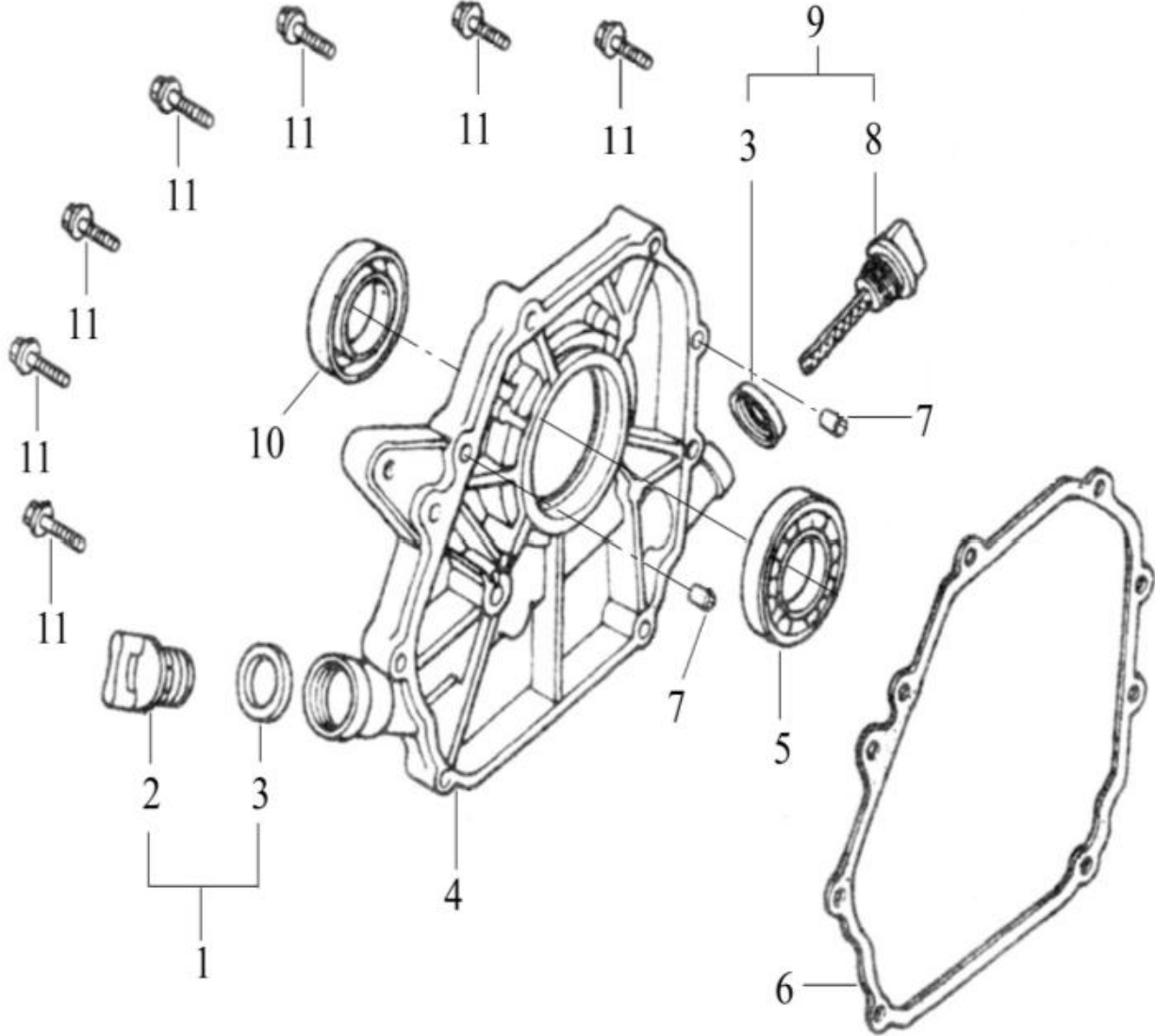


**CRANKCASE ASSY
FIGURA 1/TABLA 1**



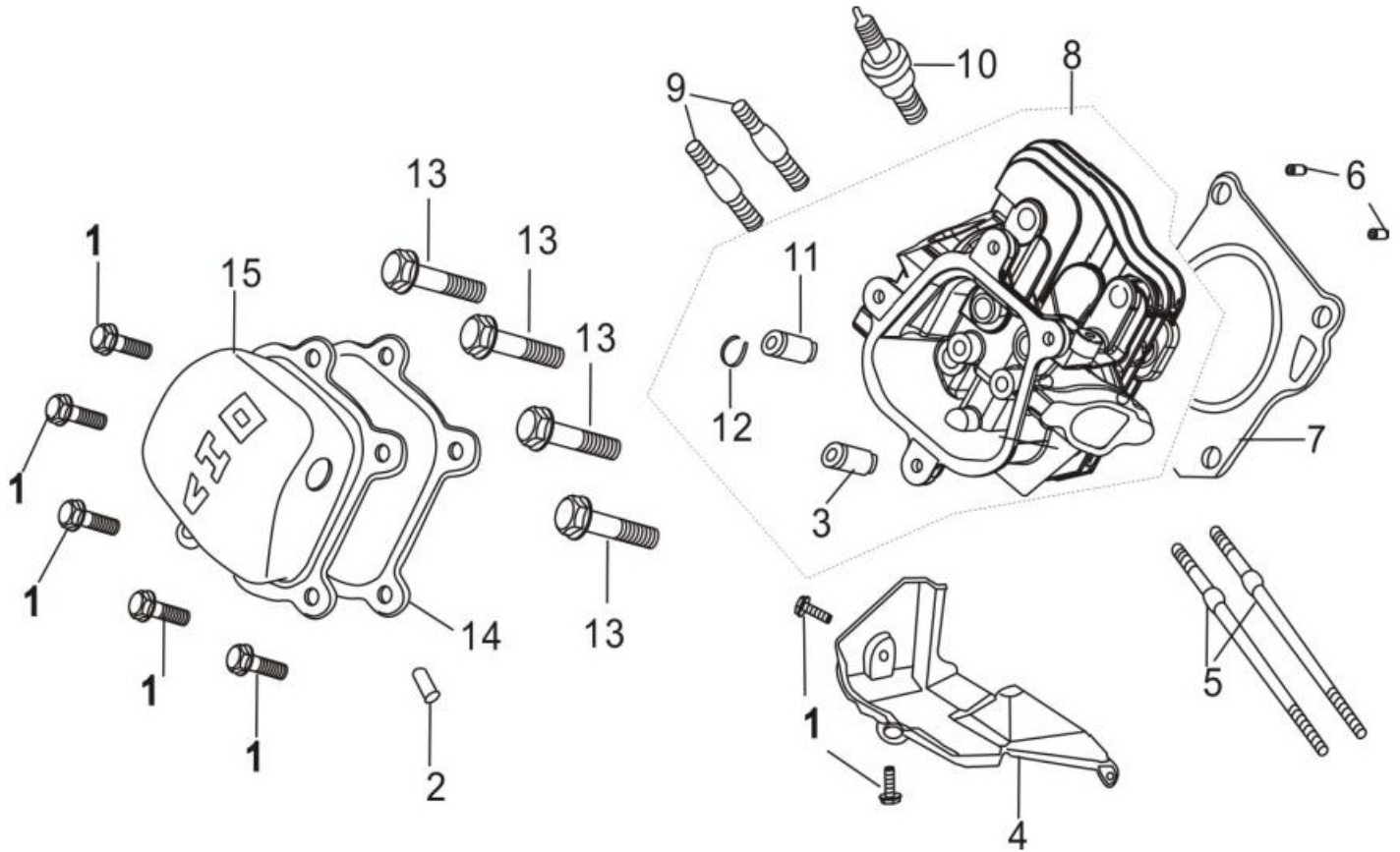
ITEM	PART NO.	DESCRIPTION	QTY.
1	11212/168F	Drain plug	2
2	11213/168F	Washer	2
3	GB276-89-02	Bearing 6205	1
4	13180/168F	Oil seal, Crankshaft	1
5	11100/168F-2	Crankcase	1
6	26311/168F	Regulating sway bar	1
7	26329/168F	Washer	2
8	26321/168F	Split pin	1
9	GB/T6177	Nut M10	1
10	37810/168F	Oil sensor	1
11	GB/T16674.2	Bolt M6X14	2
12	25151/168F	Regulating shaft	1
13	25165/168F	Washer, driven gear	1
14	25163/168F	Pin	2
15	25121/168F	Dirven gear, regulator	1
16	25141/168F-2	Fliying bloock	2
17	25120/168F-2	Dirven gear assy, regulator	1
18	25164/168F	Snap ring	1
19	25132/168F	Washer	1
20	25131/168F	Sliding sleeve	1

**CRANKCASE COVER ASSY
FIGURA 2/TABLA 2**



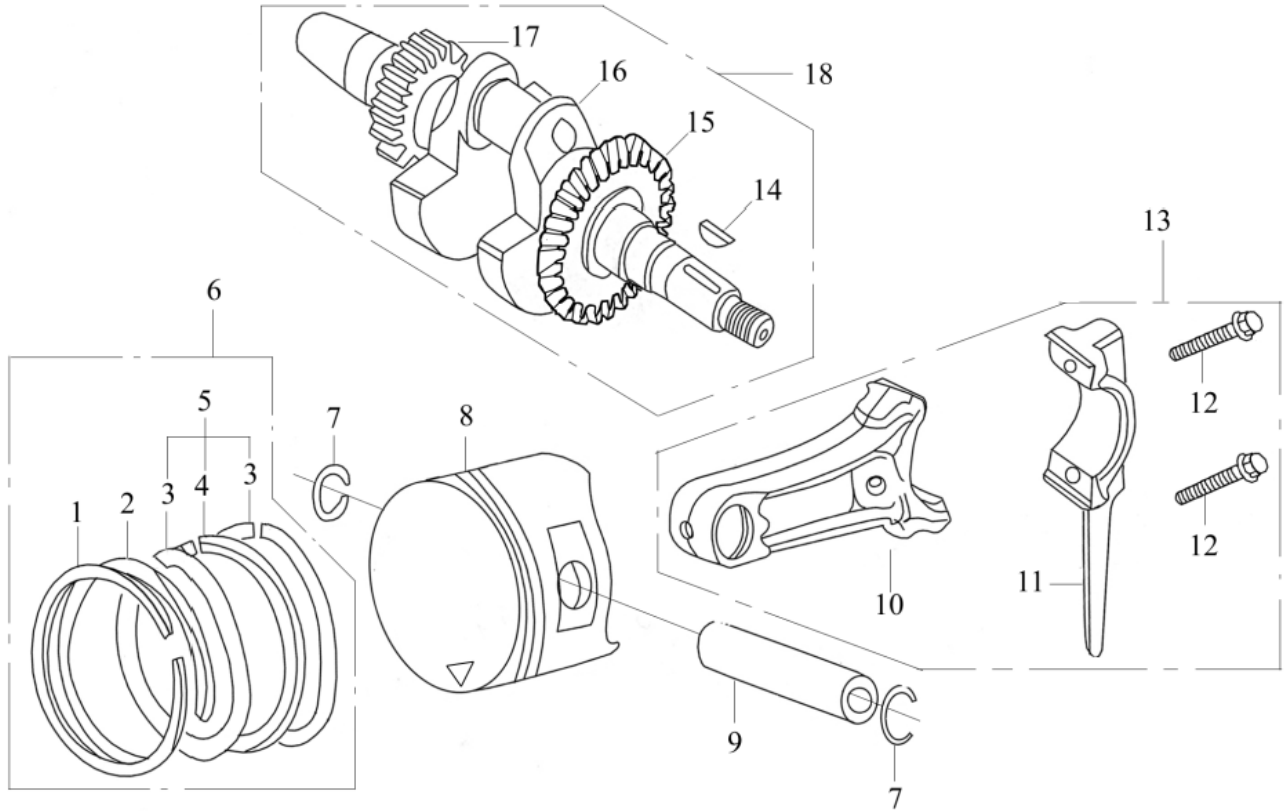
ITEM	PART NO.	DESCRIPTION	QTY.
1	15650/168F	Oil plug with seal	1
2	15651/168F	Oil plug	1
3	15612/168F	Seal	2
4	11311/168F-2E	Crankcase cover	1
5	GB276-89-02	Bearing 6205	1
6	11119/168F-2E	Gasket, Crankcase	1
7	11118/168F	Set pin	2
8	15611/168F	Dipstick	1
9	15610/168F	Dipstick with seal	1
10	13180/168F	Oil seal, Crankshaft	1
11	GB/T16674.2	Bolt M8X32	6

**CYLINDER HEAD & CYLINDER HEAD COVER ASSY
FIGURA 3/TABLA 3**



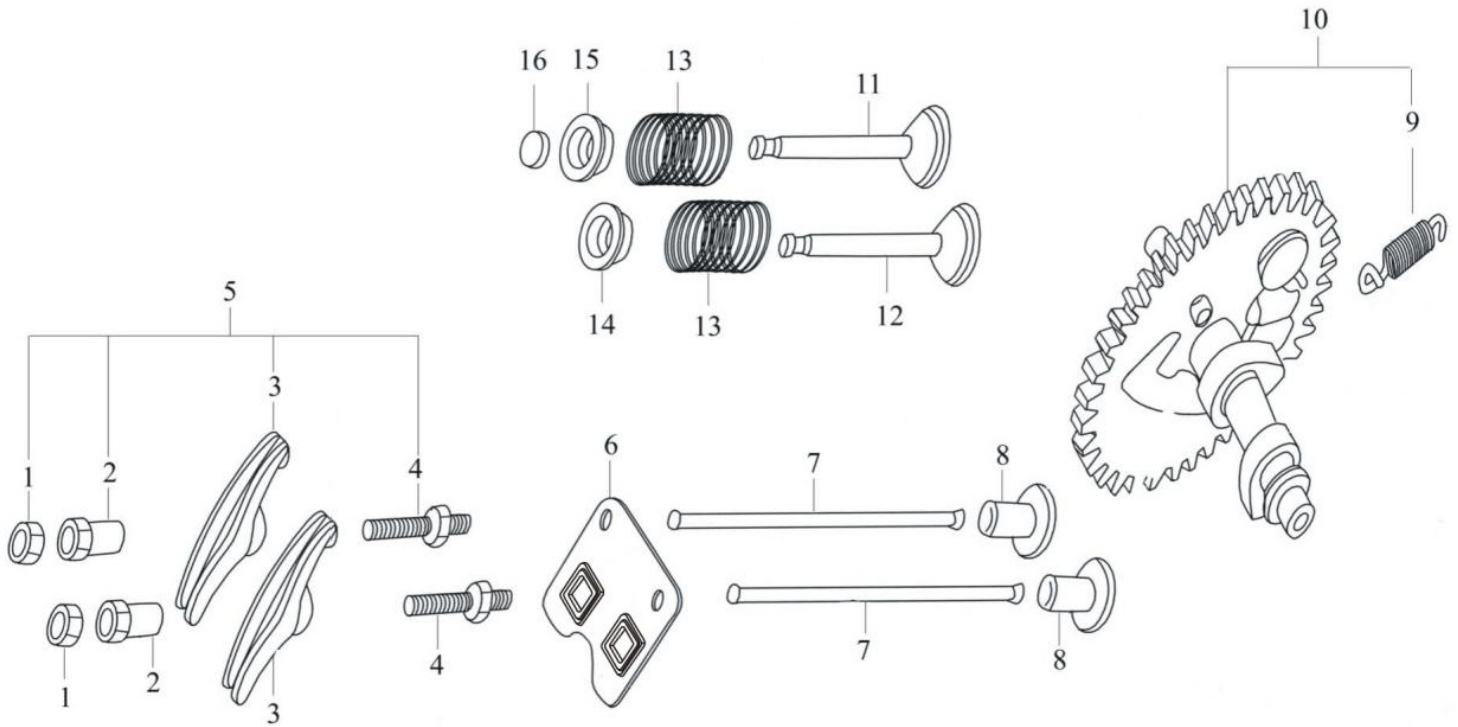
ITEM	PART NO.	DESCRIPTION	QTY.
1	GB/T16674.2	Bolt M6X12	7
2	20152/168F	Air duck	1
3	12214/168F	Intake valve guide	1
4	19721/168F-2A	Lead Wind cover	1
5	12252/168F	Stud M16X109	2
6	12218/168F	Set pin Φ 10X16	2
7	12220/168F-2A	Gasket, cylinder head	1
8	12210/168F-2	Cylinder head Assy	1
9	12253/168F	Stud M8X34	2
10	34200/168F	Spark plug F6TC	1
11	12215/168F	Exhaust valve guide	1
12	12219/168F	Circip	1
13	12256/168F	Bolt	4
14	12312/168F-2A	Gasket, cylinder head cover	1
15	12310/168F-2A	Cylinder head cover assy	1

CRANKSHAFT, PISTON & CONNECTING
FIGURA 4/TABLA 4



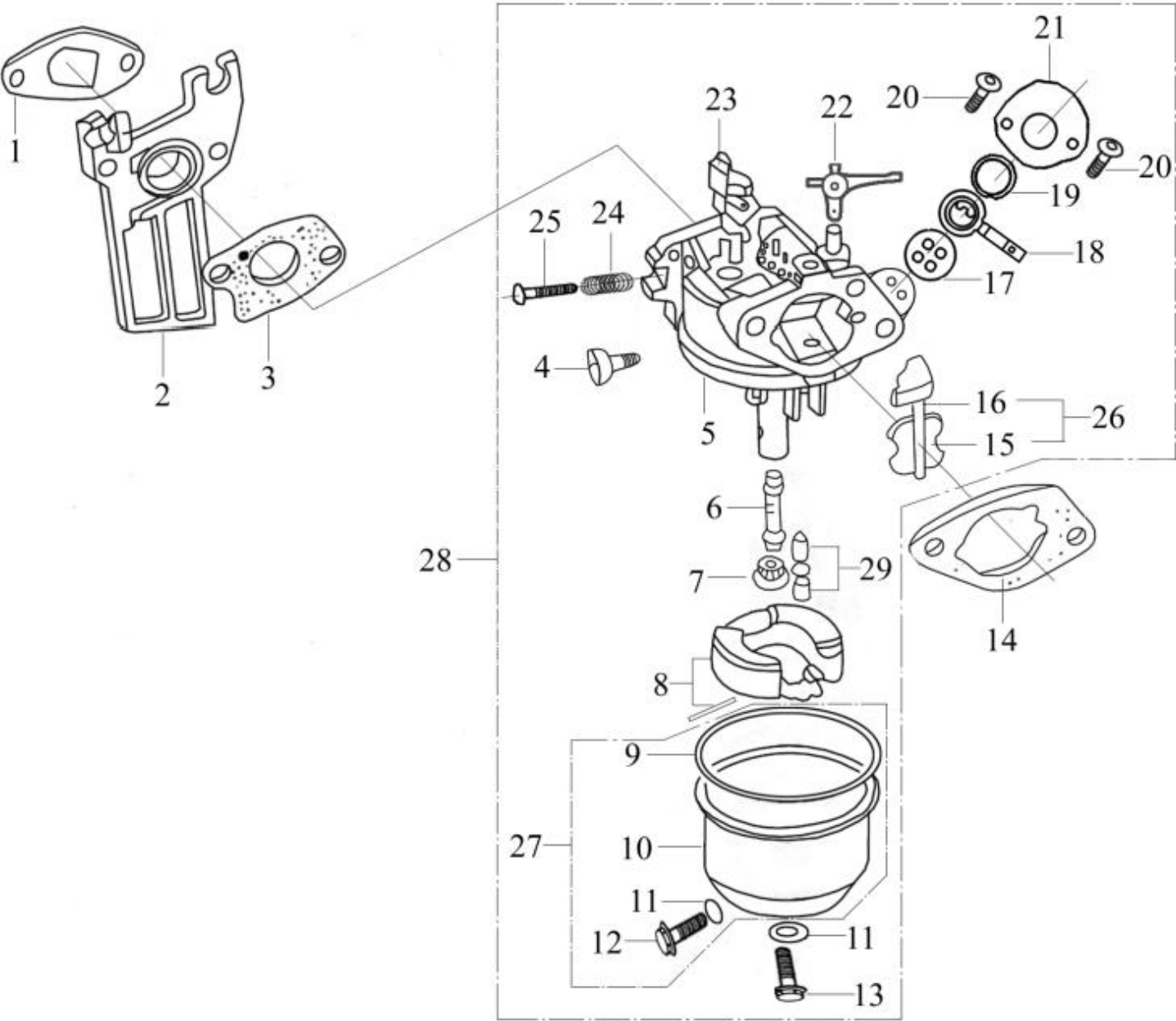
ITEM	PART NO.	DESCRIPTION	QTY.
1	13311/168F	Piston ring (I)	1
2	13312/168F	Piston ring (II)	1
3	13322/168F	Side rail	2
4	13321/168F	Expander	1
5	13320/168F	Scraper ring set	1
6	13300/168F	Piston ring assy	1
7	13222/168F	Piston pin circlip	2
8	13211/168F	Piston	1
9	13221/168F	Piston pin	1
10	13131/168F	Shank	1
11	13132/168F	Connecting rod cover	1
12	13133/168F	Bolt	2
13	13130/168F	Connecting rod assy	1
14	13118/168F	Woodruff key	1
15	25111/168F	Drive gear	1
16	13111/168F	Crankshaft	1
17	14211/168F	Timing drivin gear	1
18	13111/168F-2	Crankshaft assy	1

**COMBINATION OF CAM SHAFT & VALVE ROCKER
FIGURA 5/TABLA 5**



ITEM	PART NO.	DESCRIPTION	QTY.
1	14416/168f	Lock nut	2
2	14413/168f	Sleeve	2
3	14411/168f	Valve rocker	2
4	14415/168f	Adjusting bolt for valve gap	2
5	14410/168F	Valve rocker assy	2
6	14261/168F	Pusher guide	1
7	14250/168F	Pusher	2
8	14455/168F-2	Tappet	2
9	14146/168F	Extension spring	1
10	14100/168F-2	Camshaft Assy	1
11	14721/168F	Exhaust valve	1
12	14711/168F	Intake valve	1
13	14755/168F	Valve spring	2
14	14751/168F	spring seat, intake valve	1
15	14757/168F	Spring seat, exhaust valve	1
16	14758/168F	Cap	1

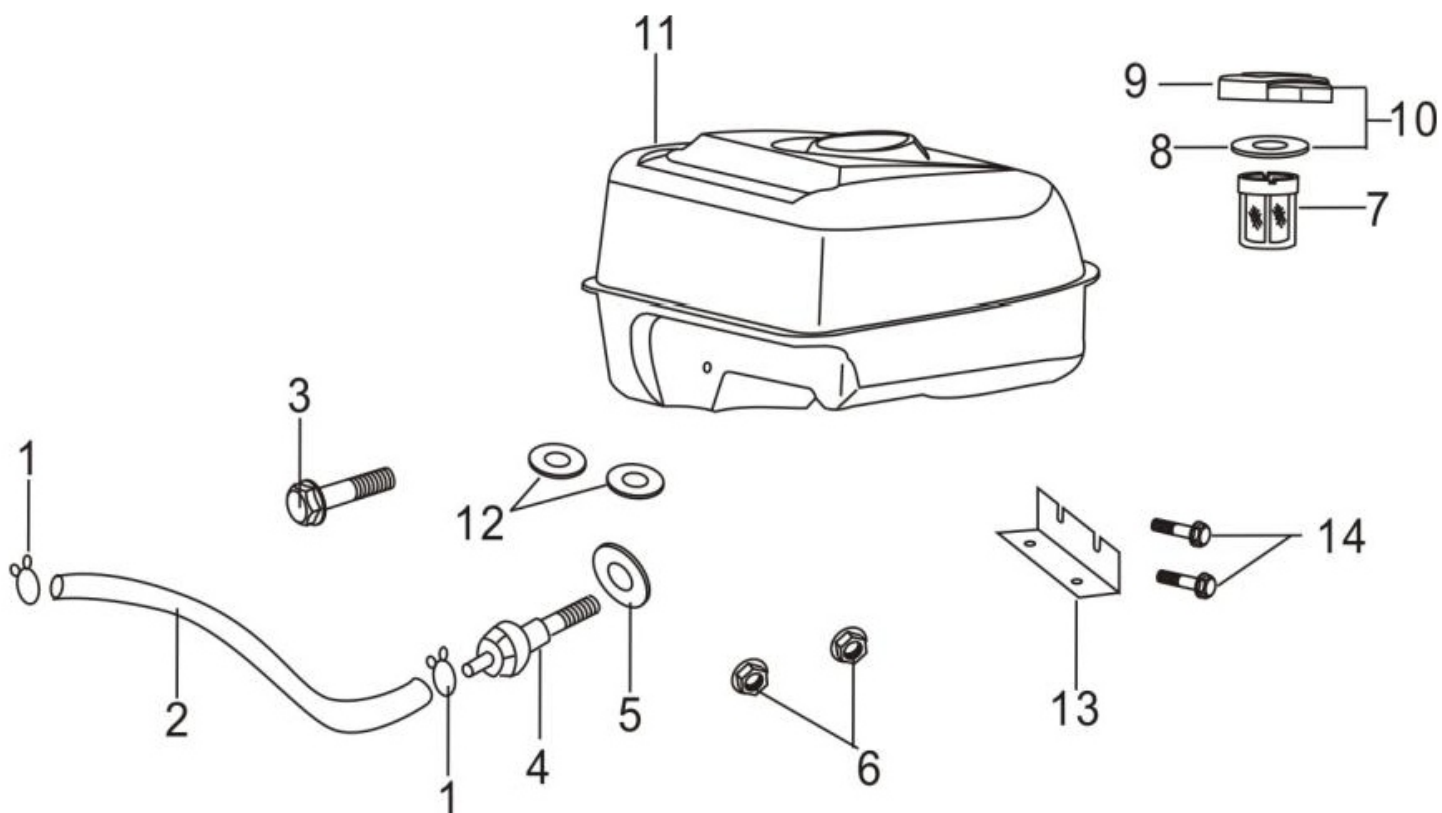
**CARBURETOR ASSY
FIGURA 6**



**CARBURETOR ASSY
TABLA 6**

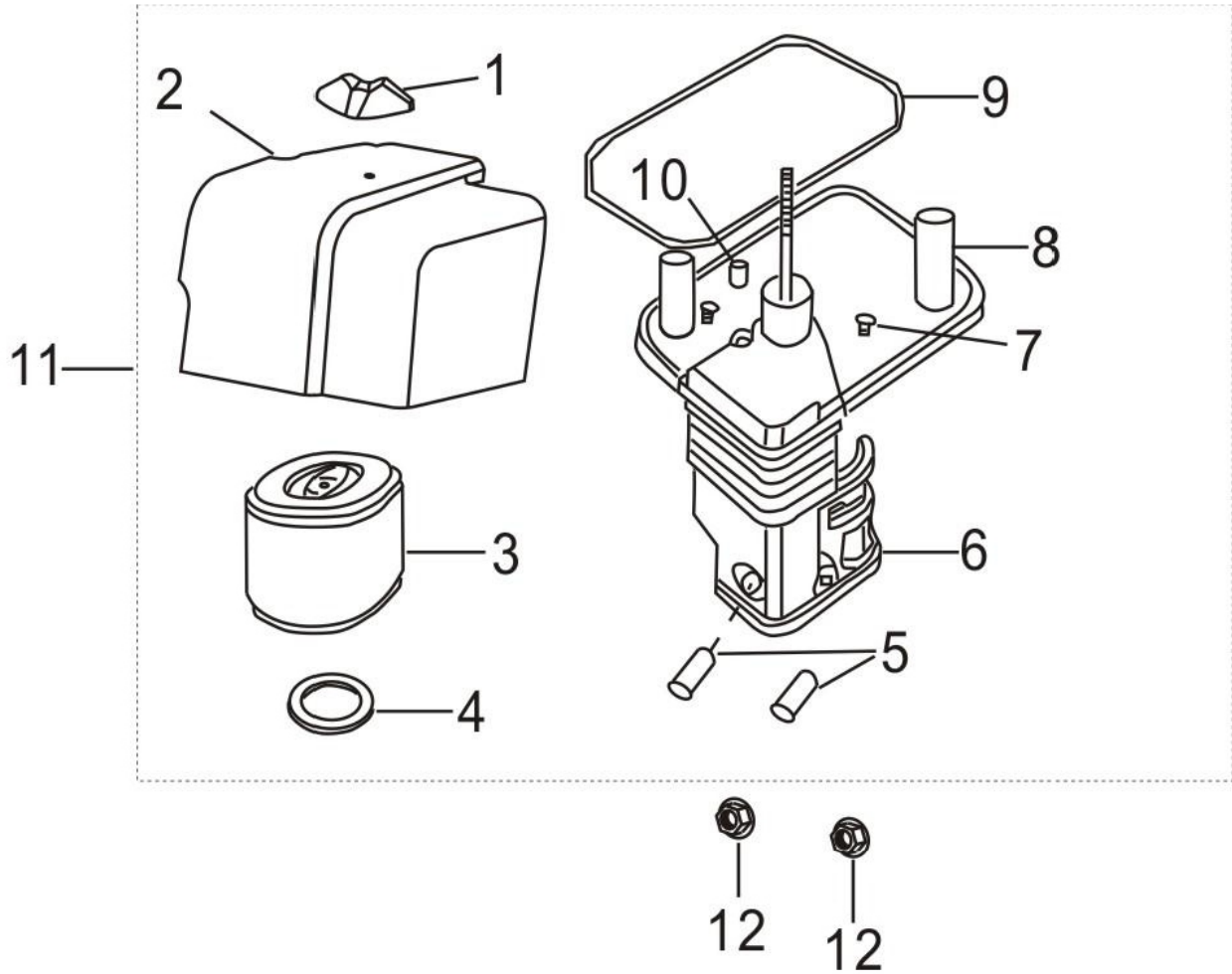
ITEM	PART NO.	DESCRIPTION	QTY.
1	12254/168F	Inlet gasket	1
2	16141/168F	Connecting Block	1
3	16142/168F	Carburetor gasket	1
4	16421/168F	Idle adjustment screw	1
5	16250/168F-2	Mixture chamber body	1
6	16251/168F-2	Main nozzle	1
7	16254/168F-2	Main jet	1
8	16230/168F	Float	1
9	16219/168F	Float chamber gasket	1
10	16211/168F	Float chamber	1
11	16216/168F	Washer	2
12	16215/168F	Float chamber drain screw	1
13	16213/168F	Screw	1
14	17330/168F	Air cleaner gasket	1
15	16331/168F	Choke	1
16	16332/168F	Choke stem	1
17	16312/168F	Airproof washer	1
18	16311/168F	Throttle lever	1
19	16313/168F	Washer	1
20	GB/T16674.2	Screw M4	2
21	16314/168F	Cover	1
22	16148/168F	Choke switch	1
23	16280/168F-2	Throttle unit	1
24	16422/168F	Spring, mixture adjustment screw	1
25	16425/168F	Mixture adjustment screw	1
26	16330/168F	Choke unit	1
27	16210/168F	Float chamber	1
28	16100/168F	Carburetor Assy	1
29	16240/168F	Float needle	1

FUEL TANK ASSY FIGURA 7/TABLA 7



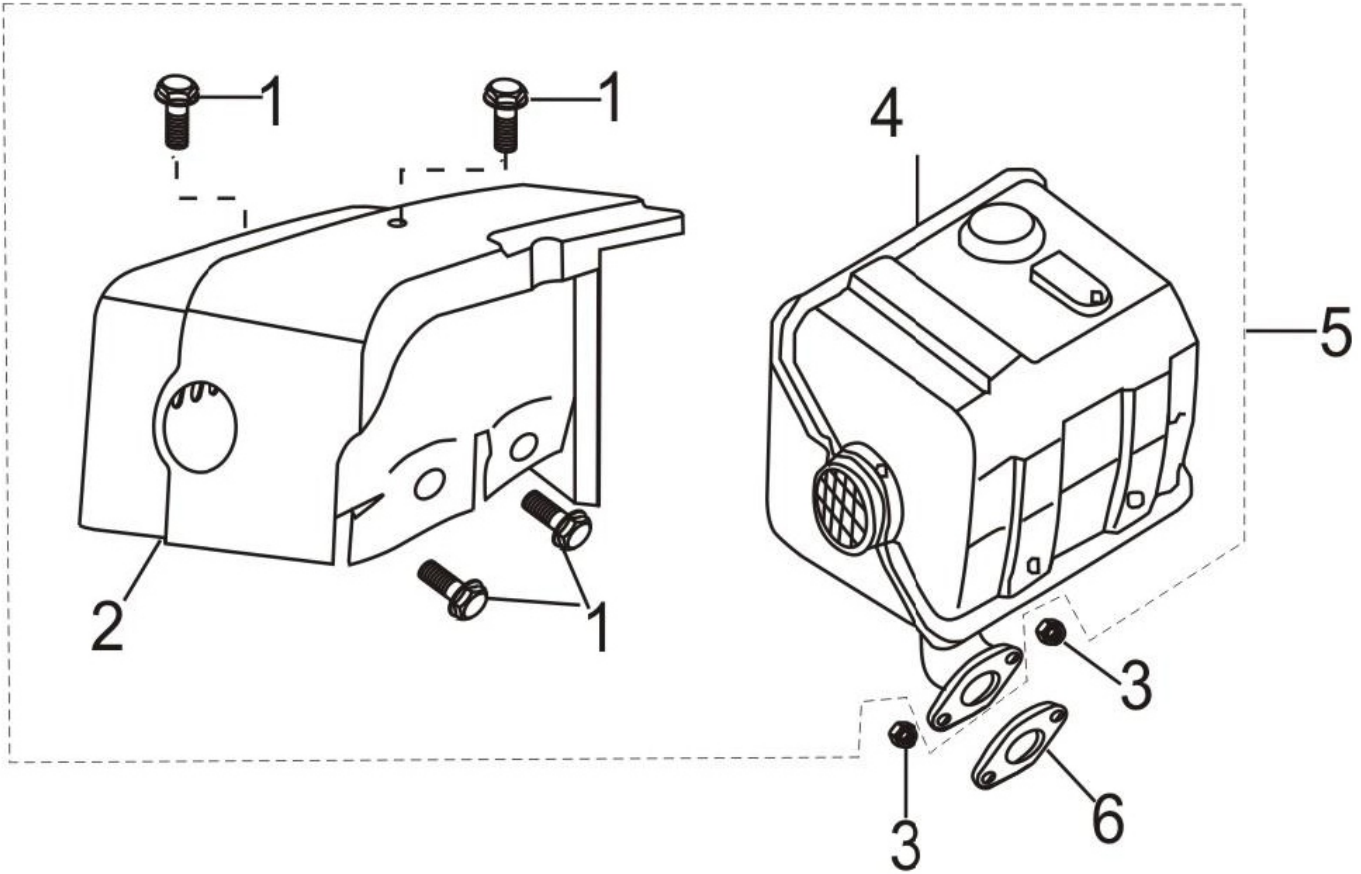
ITEM	PART NO.	DESCRIPTION	QTY.
1	16937/168F	Pipe clamp	2
2	16931/168F	Outlet pipe	1
3	GB/T16674.2	Bolt M6X28	1
4	16950/168F	Connector	1
5	16961/168F	Packing ring	1
6	GB/T6177	Nut M6	2
7	16916/168F	Filter cup	1
8	16521/168F	Packing ring	1
9	16510	Fuel filler cap	1
10	16400/168F-B	Fuel filler cap with packing ring	1
11	16610/168F-B	Fuel tank	1
12	16811/168F-2A	Frame shock pad	2
13	16815/168F-2E	Plug-in board	1
14	GB/T5789	Bolt M6X12	2

**AIR CLEANER ASSY
FIGURA 8/TABLA 8**



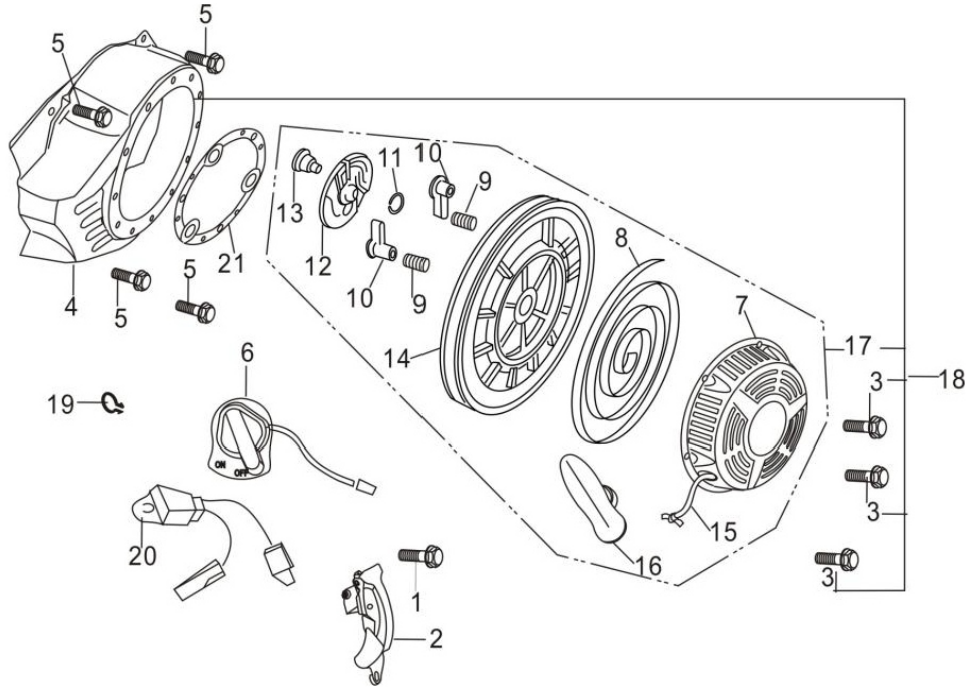
ITEM	PART NO.	DESCRIPTION	QTY.
1	17117/168F-B	Air cleaner cover nut	1
2	17111/168F-B	Air cleaner cover	1
3	17130/168F	Filter element	1
4	17125/168F	Washer	1
5	17126/168F	Sleeve A	2
6	17131/168F-B	Air cleaner housing	1
7	GB/T3115-82	Srew M5X12	2
8	17141/168F	Air cleaner base	1
9	17145/168F	Gasket	1
10	17146/168F	Sleeve B	1
11	17100/168F-B	Air cleaner assy	1
12	GB/T6177	Nut M6	2

MUFFLER
FIGURA 9/TABLA 9



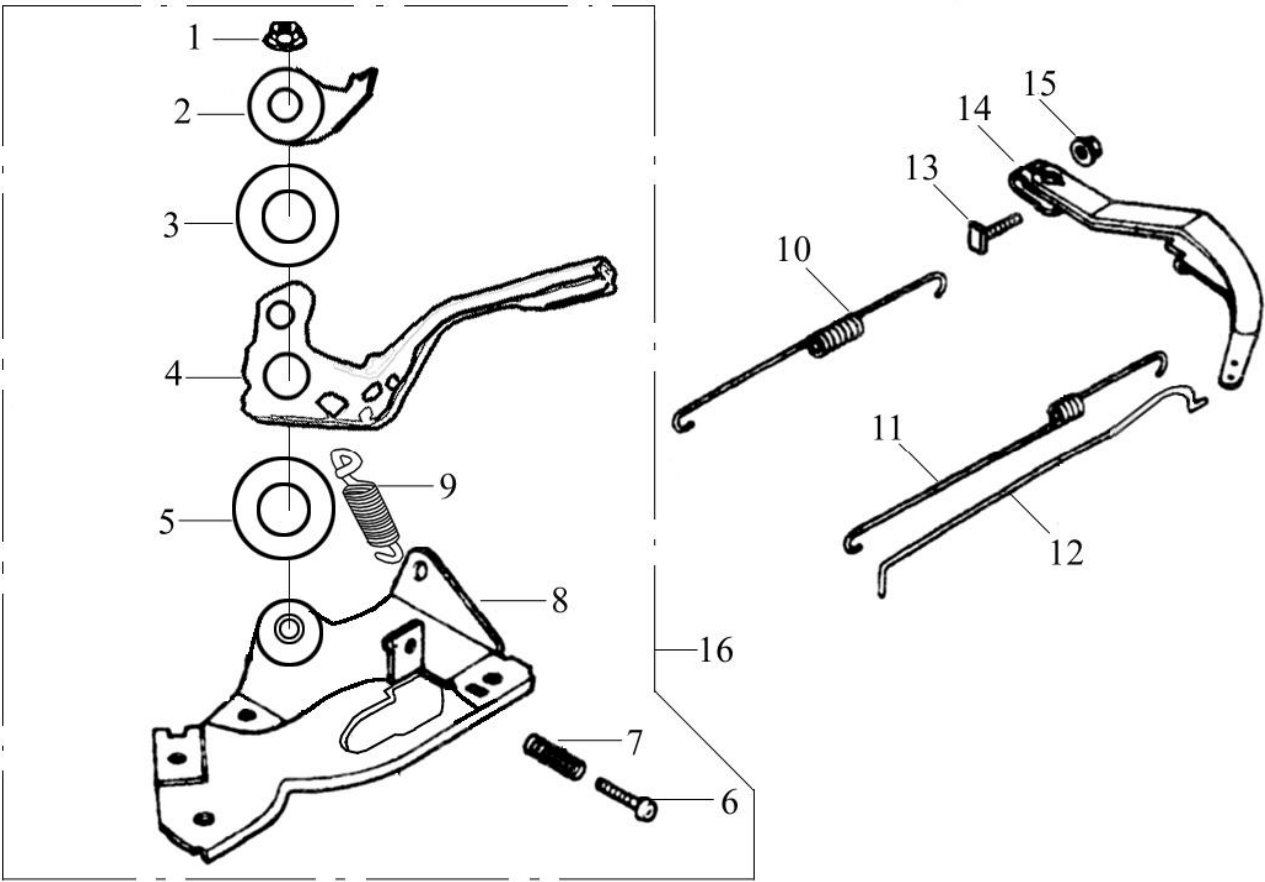
ITEM	PART NO.	DESCRIPTION	QTY.
1	GB/T16674.2	Screw M5X8	4
2	18600/168F-B	Muffler hood	1
3	GB/T6170	Nut M8	2
4	18300/168F	Muffler	1
5	18000/168F-B	Exhaust muffler	1
6	12255/168F	Exhaust gasket	1

**RECOIL STARTER
FIGURA 10/TABLA 10**



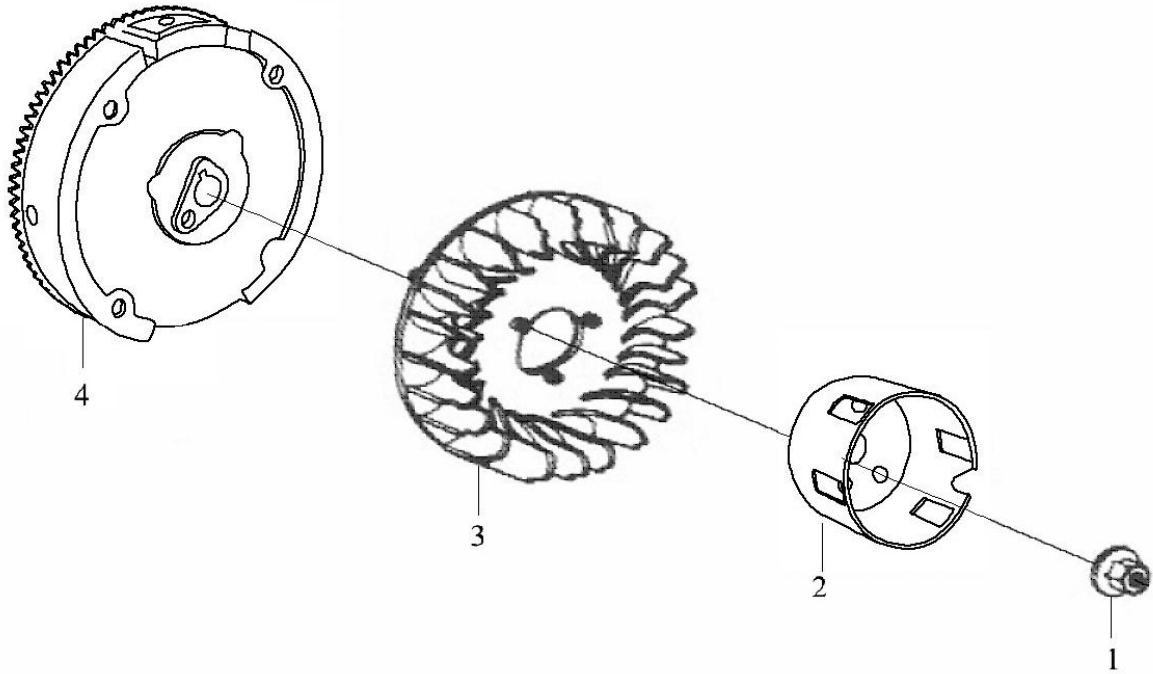
ITEM	PART NO.	DESCRIPTION	QTY.
1	GB/T16674.2	Bolt M6X22	1
2	19810/168F	Crankcase side plate assy	1
3	GB/T16674.2	Bolt M6X8	3
4	19710/168F	Fan hood assy	1
5	GB/T16674.2	Bolt M6X12	4
6	35410/168F-B	Engine switch	1
7	27380/168F	Casing	1
8	27319/168F	Spiral spring	1
9	27312/168F	Ratchet spring	2
10	27331/168F	Ratchet	2
11	27311/168F	Friction spring	1
12	27341/168F	Spring lid	1
13	27315/168F	Set screw	1
14	27351/168F	Starter rolls	1
15	27313/168F	Rope	1
16	23230/168F	Pulling handle	1
17	27300/168F	Recoil starter	1
18	27100/168F	Recoil starter assy	1
19	16146/168F	Plastic clip	1
20	37850/168F	Diode	1
21	23260/168F	Recoil spacer combination	1

**REGULATING CONTROL SYSTEM
FIGURA 11/TABLA 11**



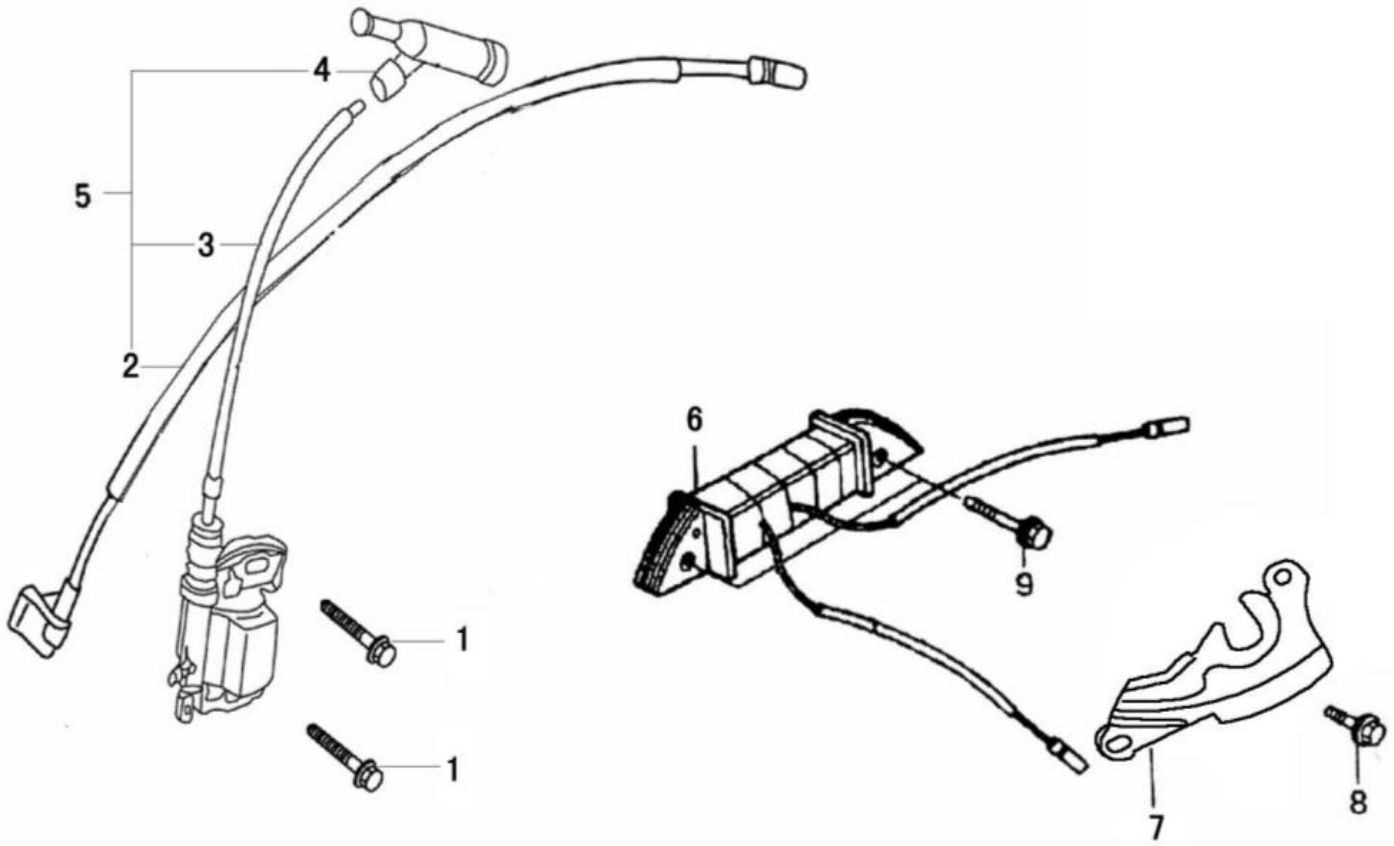
ITEM	PART NO.	DESCRIPTION	QTY.
1	GB/T6173	Nut M6	1
2	26414/168F	Setting panel	1
3	26418/168F	Spring patch	1
4	26412/168F	Handgrip assy	1
5	26419/168F	Washer	1
6	GB/T818-85-H	Bolt M5X25	1
7	26415/168F	Regulating spring	1
8	26420/168F	Support panel assy	1
9	26416/168F	Spring	1
10	26363/168F-2	Back spring	1
11	26364/168F	Fine regulating spring	1
12	26341/168F	Pulling rod	1
13	26362/168F	Lock bolt	1
14	26331/168F	Regulating arm	1
15	GB/T6177	Nut M6	1
16	26410/168F	Regulating frame assy	1

**FLYWHEEL
FIGURA 12/TABLA 12**



ITEM	PART NO.	DESCRIPTION	QTY.
1	27515/168F	Nut M14X1.5	1
2	27370/168F-B	Starting flange	1
3	19722/168F	Flywheel fan	1
4	27500/168F	Flywheel	1

**IGNITION COIL
FIGURA 13/TABLA 13**



ITEM	PART NO.	DESCRIPTION	QTY.
1	GB5787-86	Screw M6X25	2
2	34410/168F	Engine stop cable	1
3	34510/168F	Ignition coil	1
4	34310/168F	Spark plug cap	1
5	34500/168F	ignition coil assy	1
6	31250/168F	Charger coil	1
7	32213/168F	Clamper, cord	1
8	GB5787-86	Bolt M6X35	2
9	GB5787-86	Bolt M6X12	1

MPOWER

MANUAL DE PARTES MOTOR 6.5HP 168F-2B



LADA SIN COSTO
01.800.506.82.86

SÍGUENOS EN:

YouTube



www.mpower.com.mx

Km 126.5 Carretera Federal México-Puebla, Momoxpan, Cholula, Puebla.
MÉXICO. CP 72760