

MPOWER



MANUAL DE PARTES

MOTOR MPOWER
6.5HP CÓNICO PARA
GENERADOR 3500
168F-2-3500

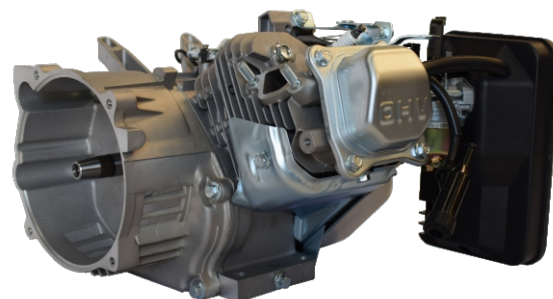
MOTORES 



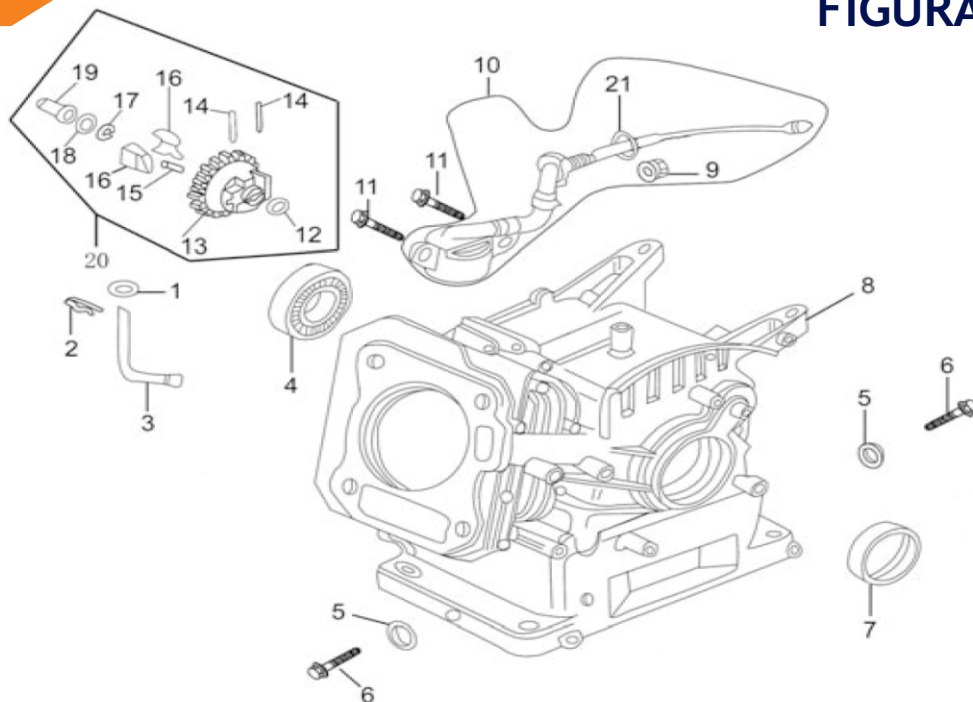
www.mpower.com.mx

MOTOR MPOWER 6.5HP CÓNICO PARA GENERADOR 3500 168F-2-3500

E-1	CRANKCASE ASSY	PAG 03
E-2	CRANKCASE COVER ASSY	PAG 04
E-3	CYLINDER HEAD & CYLINDER HEAD COVER ASSY	PAG 05
E-4	CRANKSHAFT, PISTON & CONNECTING	PAG 06
E-5	COMBINATION OF CAM SHAFT & VALVE ROCKER	PAG 07
E-6	CARBURETOR ASSY	PAG 09
E-7	FAN COVER	PAG 11
E-8	KICK STARTER	PAG 12
E-9	REGULATING CONTROL SYSTEM	PAG 13
E-10	FLYWHEEL	PAG 14
E-11	IGNITION COIL	PAG 15
E-12	AIR CLEANER ASSY	PAG 16
E-13	MUFFLER ASSY	PAG 17
E-14	FUEL TANK ASSY	PAG 18
G-01	CONTROL PANEL	PAG 19
G-02	GENERATOR	PAG 20
G-03	FRAME	PAG 21
G-04	TOOLS	PAG 22

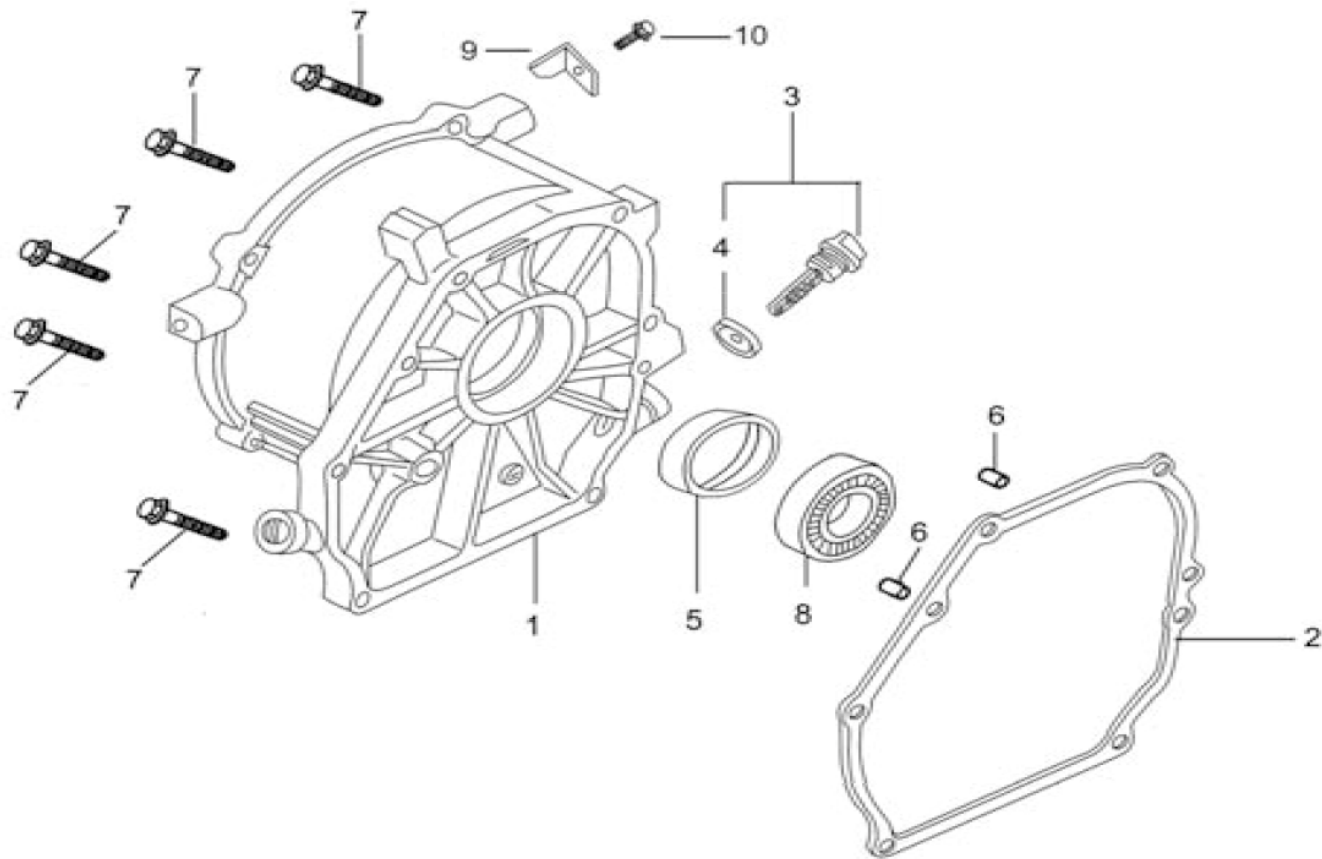


CRANKCASE ASSY FIGURA 1/TABLA 1



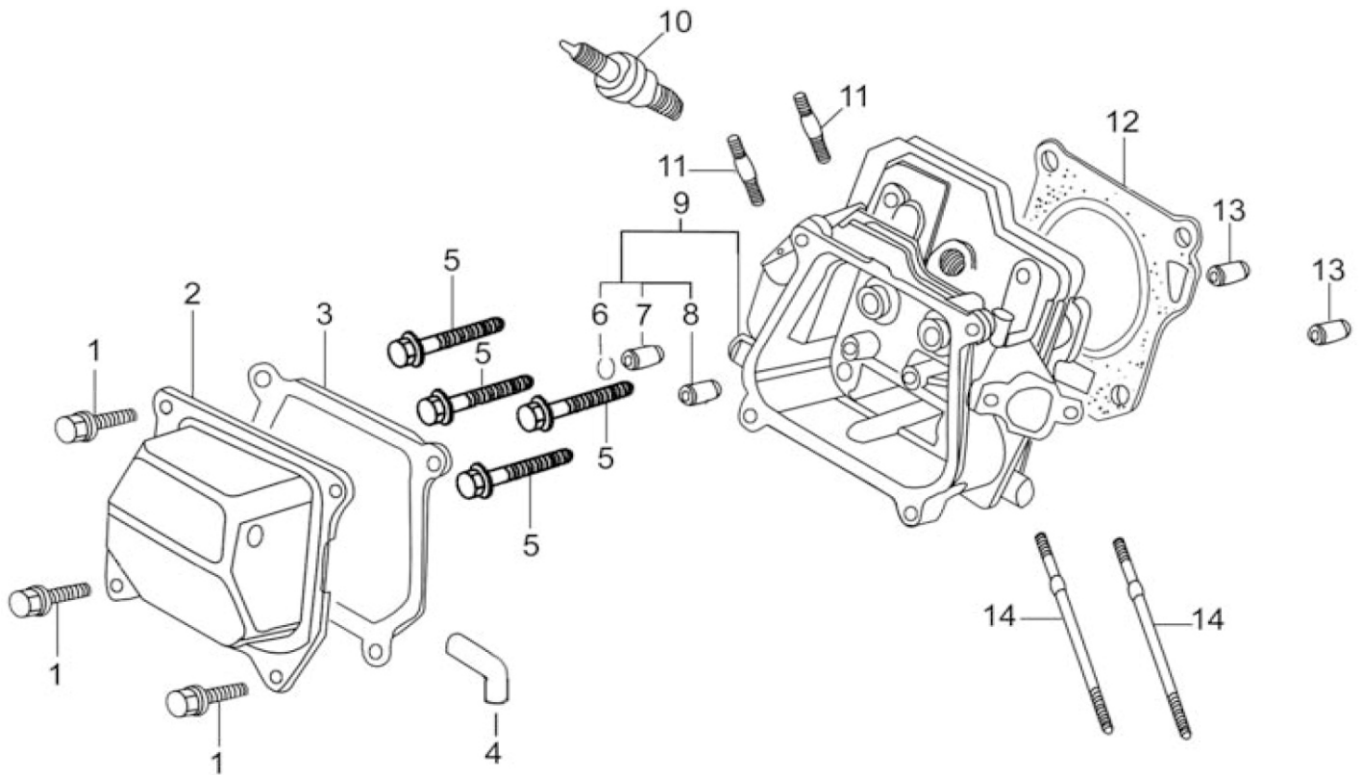
ITEM	PART NO.	DESCRIPTION	QTY.
1	26329/168F	Washer	1
2	26321/168F	Split pin	1
3	26311/168F	Regulating sway bar	1
4	GB276-89	Bearing 6205	1
5	11213/168F	Washer	2
6	11212/168F	Drain plug	2
7	13180/168F	Oil seal, crankshaft	1
8	11100/168F	Crankcase	1
9	GB6177-86	Nut M10	1
10	37810/168F	Oil sensor	1
11	GB5787-86	Bolt M6×12	2
12	25165/168F	Washer, driven gear	1
13	25121/168F	Driven gear, regulator	1
14	25163/168F	Pin	2
15	25151/168F	Regulating shaft	1
16	25141/168F	Flying block	2
17	25164/168F	Snap ring	1
18	25132/168F	Washer	1
19	25131/168F	Sliding sleeve	1
20	25120/168F	Driven gear, regulator Assy	1
21	GB3452.1-92	O-ring 13×1.4	1

**CRANKCASE COVER ASSY
FIGURA 2/TABLA 2**



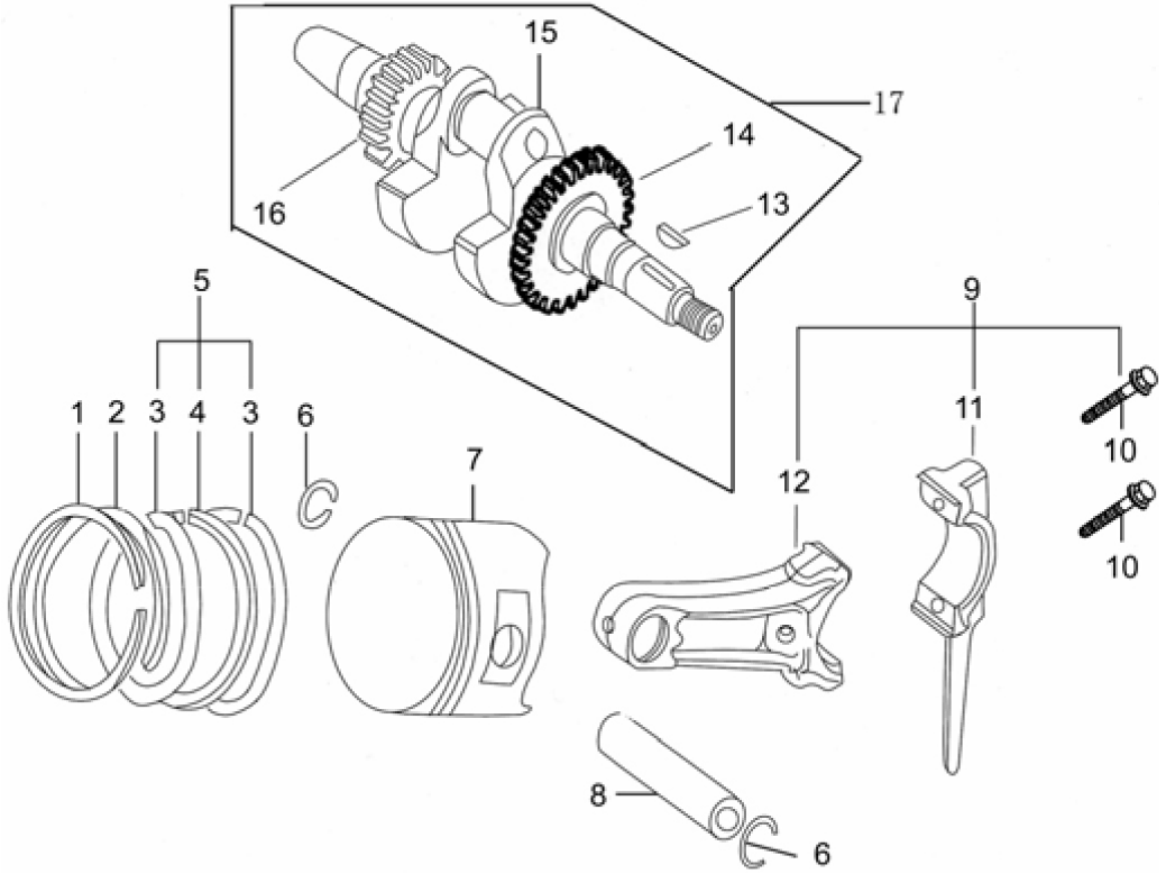
ITEM	PART NO.	DESCRIPTION	QTY.
1	11311/168F-BV	Crankcase cover	1
2	11119/168F	Gasket, crankcase	1
3	15610/168F	Dipstick with seal	1
4	15612/168F	Seal	1
5	13180/168F	Oil seal , crankshaft	1
6	11118/168F	Set pin	2
7	GB5787-86	Bolt M8×32	6
8	GB276-89	Bearing 6205	1
9	11331	Dust plate	1
10	GB5787-86	Bolt M6×12	1

**CYLINDER HEAD & CYLINDER HEAD COVER ASSY
FIGURA 3/TABLA 3**



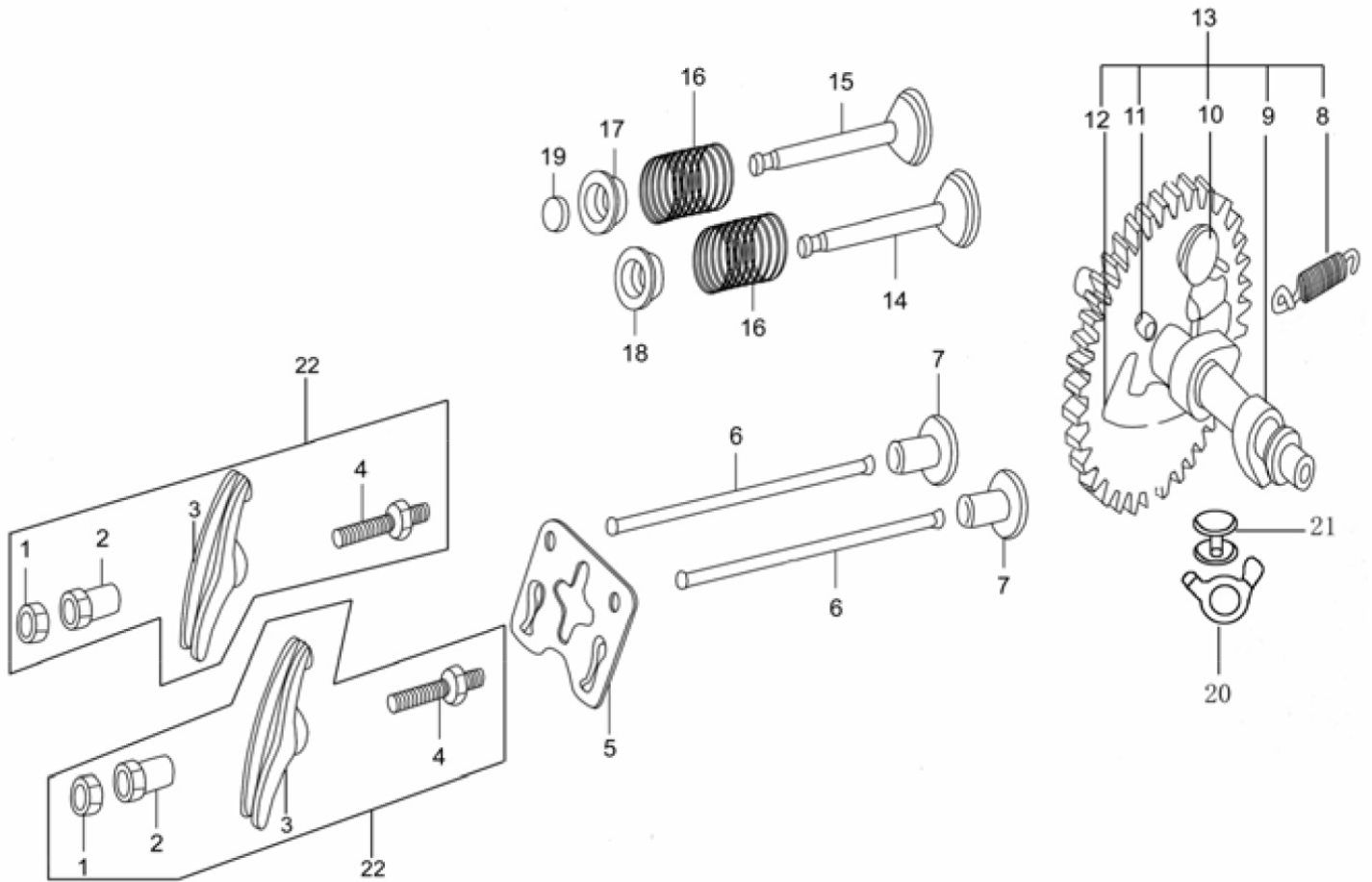
ITEM	PART NO.	DESCRIPTION	QTY.
1	GB5787-86	Bolt M6×12	4
2	12310/168F	Cylinder head cover Assy	1
3	12312/168F	Gasket, cylinder head cover	1
4	20651/168F-BV	Air duck	1
5	12256/168F	Flange bolt	4
6	12219/168F	Circip	1
7	12215/168F	Exhaust valve guide	1
8	12214/168F	Intake valve guide	1
9	12210/168F	Cylinder head Assy	1
10	34200/168F	Spark plug F6RTC	1
11	12253/168F	Stud M8×34	2
12	12221/168F	Gasket, cylinder head	1
13	12218/168F	Set pin φ 10×16	2
14	12252/168F-BV	Stud M6×96	2

**CRANKSHAFT, PISTON & CONNECTING ROD
FIGURA 4/TABLA 4**



ITEM	PART NO.	DESCRIPTION	QTY.
1	13311/168F	Piston ring (I)	1
2	13312/168F	Piston ring (II)	1
3	13322/168F	Side ring	2
4	13321/168F	Wave ring	1
5	13320/168F	Scraper ring set	1
6	13222/168F	Piston pin circlip	2
7	13211/168F	Piston	1
8	13221/168F	Piston pin	1
9	13130/168F	Tie-rod Assy	1
10	13133/168F	Bolt	2
11	13132/168F	Tie-rod cover	1
12	13131/168F	Tie-rod	1
13	13118/168F	Woodruff key	1
14	25111/168F	Drive gear	1
15	13111/168F-BV	Crankshaft	1
16	14211/168F	Timing driving gear	1
17	13110/168F-BV	Crankshaft sets	1

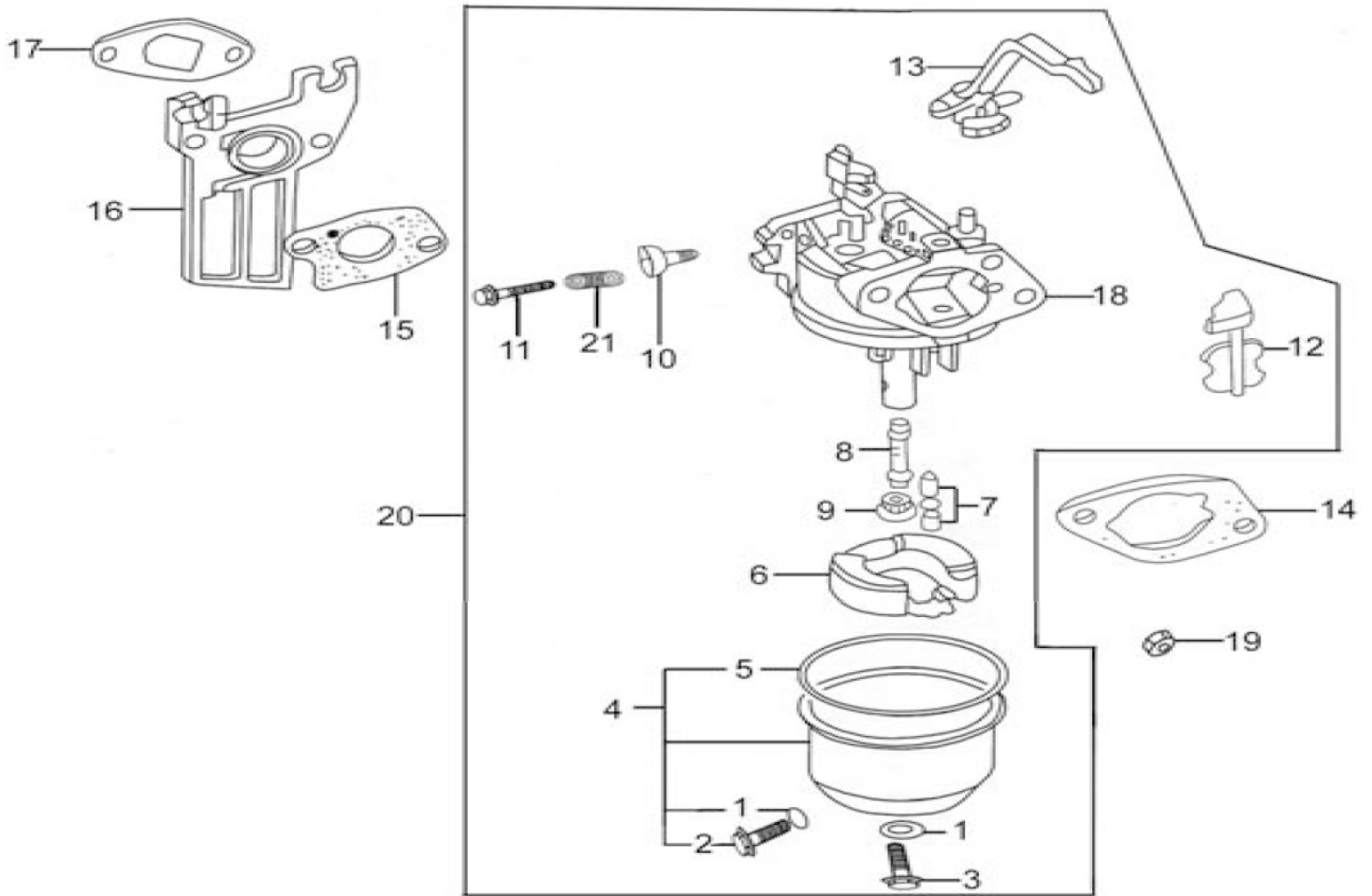
COMBINATION OF CAMSHAFT & VALVE ROCKER FIGURA 5



**CRANKSHAFT, PISTON & CONNECTING ROD
TABLA 5**

ITEM	PART NO.	DESCRIPTION	QTY.
1	14416/168F	Lock nut	2
2	14413/168F	Sleeve	2
3	14411/168F	Valve rocker	2
4	14415/168F	Adjusting bolt for valve gap	2
5	14261/168F	Pusher guide	1
6	14250/168F	Pusher	2
7	14455/168F	Tappet	2
8	14146/168F	Extension spring	1
9	14111/168F	Camshaft	1
10	14149/168F	Pin	1
11	14118/168F	Spring hang pin	1
12	14140/168F	Auto-reductor subassembly	1
13	14100/168F	Camshaft Assy	1
14	14711/168F	Intake valve	1
15	14721/168F	Exhaust valve	1
16	14755/168F	Valve spring	1
17	14757/168F	Spring seat, exhaust valve	1
18	14751/168F	Spring seat, intake valve	1
19	14758/168F	Cap	1
20	14151/168F	Limit position panel	1
21	14152/168F	Pin	1
22	14410/168F	Valve rocker Assy	2

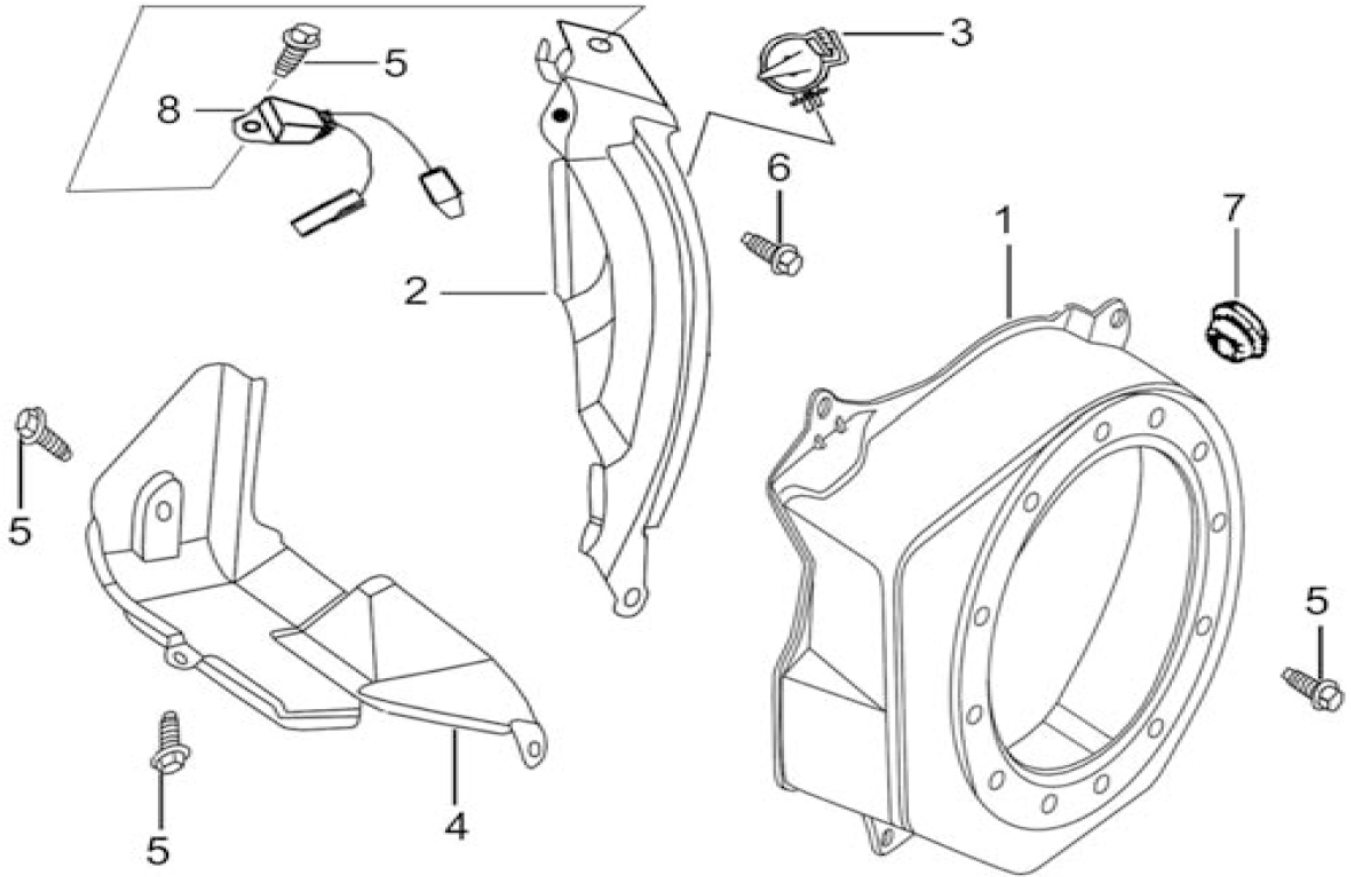
**CARBURETOR ASSY
FIGURA 6**



**CARBURETOR ASSY
TABLA 6**

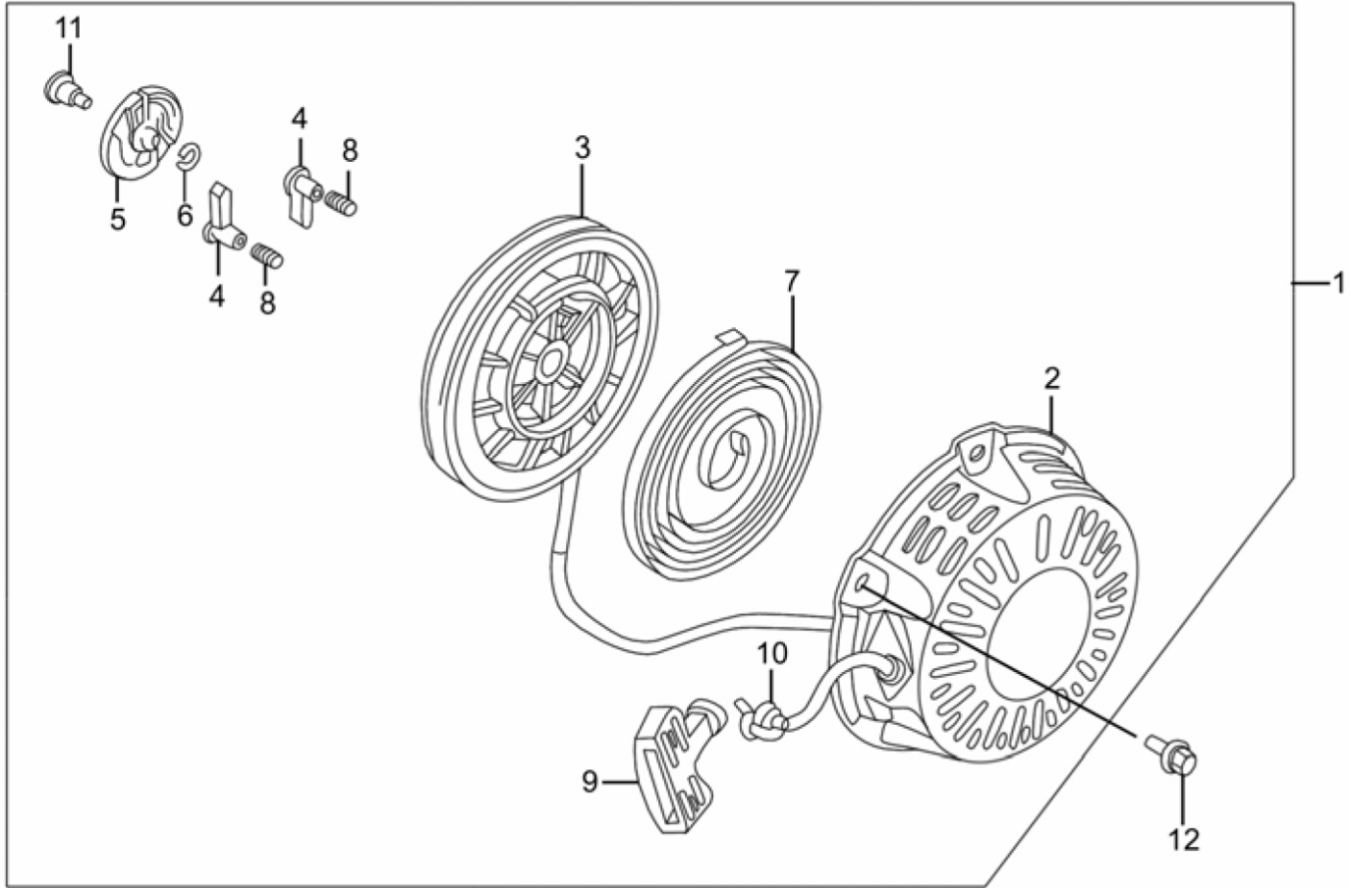
ITEM	PART NO.	DESCRIPTION	QTY.
1	16216/168F	Washer	2
2	16215/168F	Drain plug, float chamber	1
3	16213/168F	Screw	1
4	16210/168F	Float chamber	1
5	16219/168F	Gasket, float chamber	1
6	16230/168F	Float	1
7	16240/168F	Float needle	1
8	16251/168F-BV	Pipe, main jet	1
9	16254/168F-BV	Main jet	1
10	16421/168F	Idle adjustment screw	1
11	16425/168F	Mixture adjustment screw	1
12	16330/168F	Choke	1
13	16148/168F-BV	Choke switch	1
14	17330/168F	Gasket, air cleaner	1
15	16142/168F	Gasket, carburetor	1
16	16141/168F	Connecting block, carburetor	1
17	12254/168F	Gasket, inlet	1
18	16250/168F-BV	Mixture chamber body	1
19	GB6177-86	Nut M6	2
20	16100/168F-BV	Carburetor	1
21	16422/168F	Spring, mixture adjustment screw	1

**FAN COVER
FIGURA 7/TABLA 7**



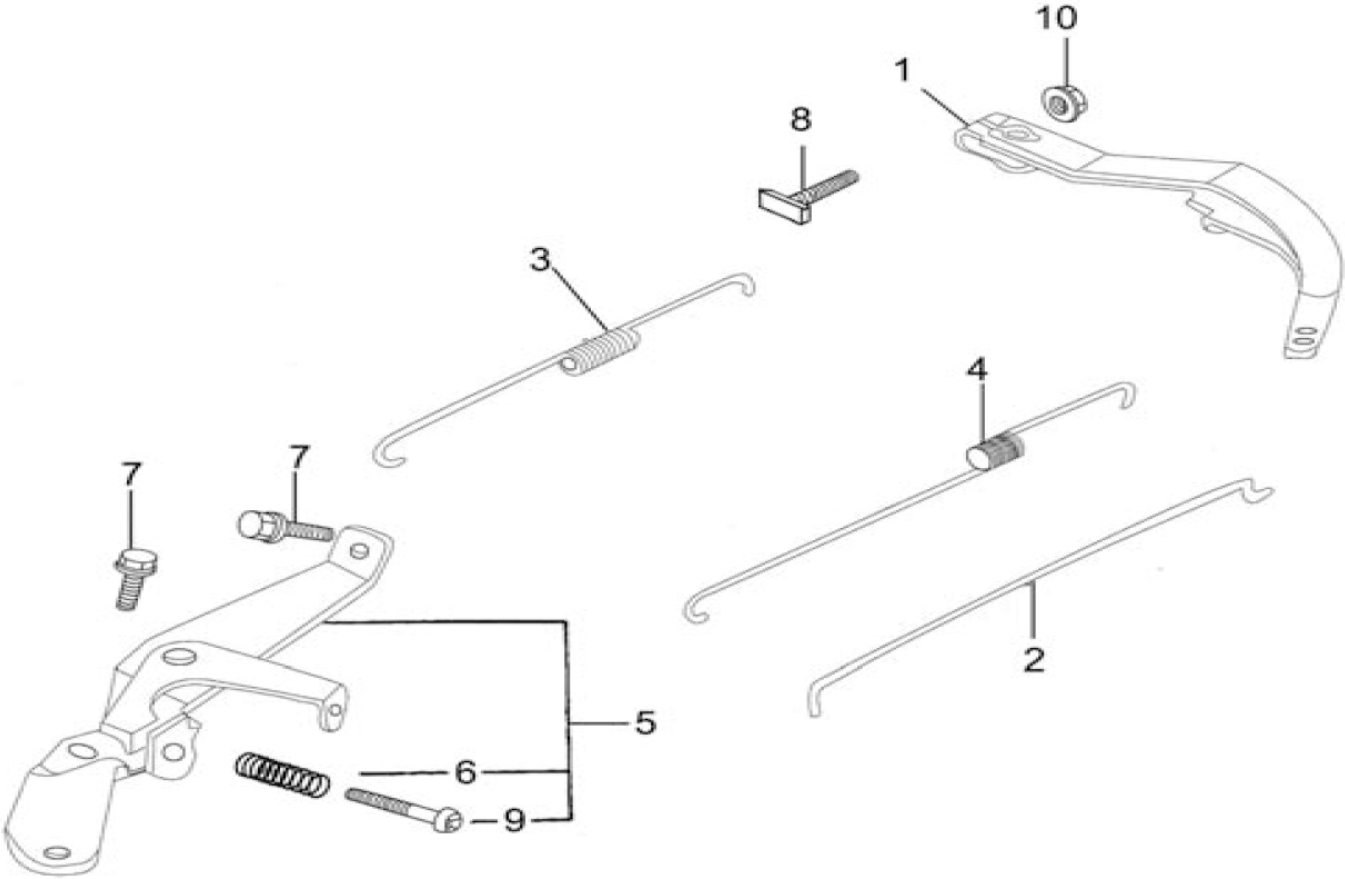
ITEM	PART NO.	DESCRIPTION	QTY.
1	19710/168F	Fan case	1
2	19820/168F	Side plate weldment, crankcase	1
3	32211/168F	Plastic clip	1
4	19721/168F	Airhood	1
5	GB5787-86	Screw M6×12	7
6	GB5787-86	Screw M6×22	1
7	19715/168F-BV	Grommet	1
8	37850/168F	Diode	1

**KICK STARTER
FIGURA 8/TABLA 8**



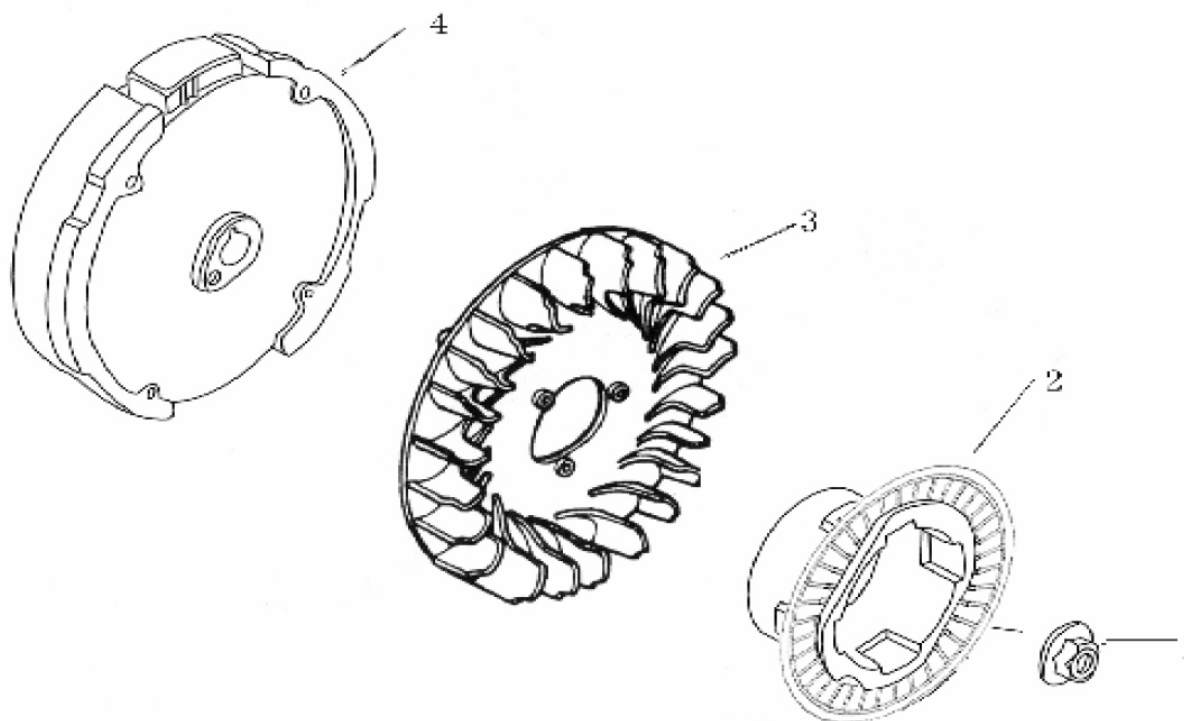
ITEM	PART NO.	DESCRIPTION	QTY.
1	27300/168F	Kick-starter	1
2	27380/168F	Housing	1
3	27351/168F	Starting roller	1
4	27331/168F	Ratchet	2
5	27341/168F	Spring lid	1
6	27311/168F	Friction spring	1
7	27319/168F	Spiral spring	1
8	27312/168F	Spring, ratchet	2
9	27361/168F	Handle	1
10	27313/168F	Rope	1
11	27315/168F	Set screw	1
12	GB5787-86	Screw M6×8	3

**REGULATING CONTROL SYSTEM
FIGURA 9/TABLA 9**



ITEM	PART NO.	DESCRIPTION	QTY.
1	26331/168F	Regulating arm	1
2	26341/168F	Pulling rod	1
3	26363/168F	Back spring	1
4	26364/168F	Fine regulating spring	1
5	26410/168F-BV	Regulating mount	1
6	26415/168F	Regulating spring	1
7	GB5787-86	Bolt M6×12	2
8	26362/168F	Lock bolt	1
9	GB818-85-H	Screw M5×35	1
10	GB6177-86	Nut M6	1

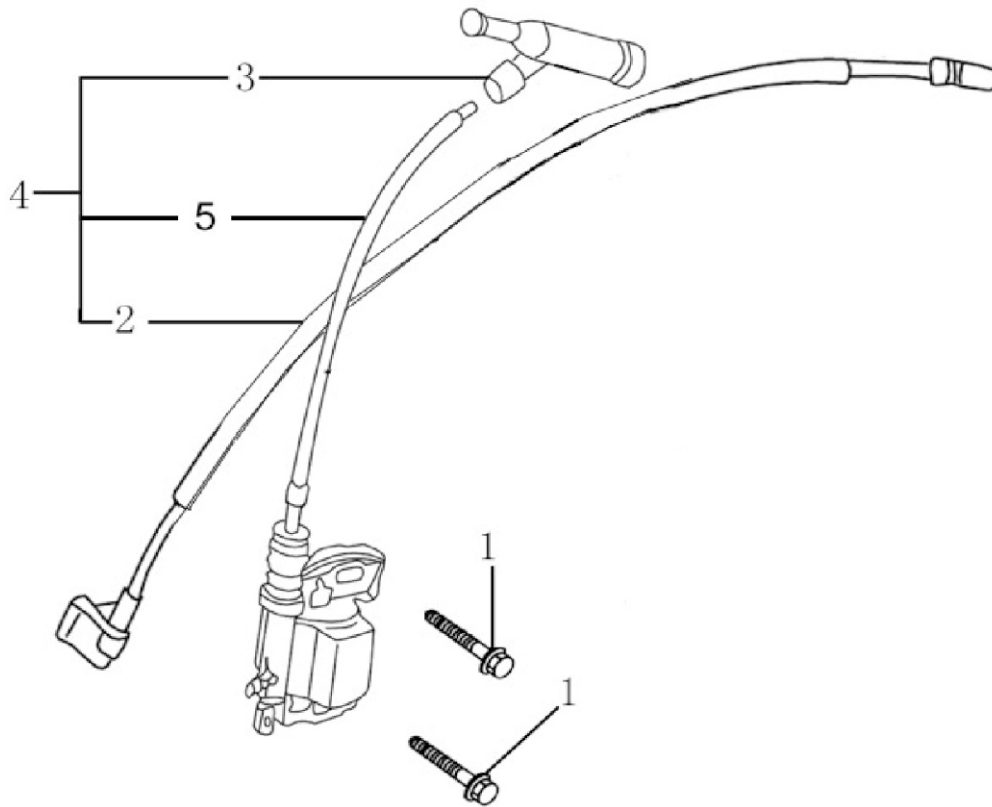
**FLYWHEEL
FIGURA 10/TABLA 10**



ITEM	PART NO.	DESCRIPTION	QTY.
1	27515/168F	Nut M14×1.5	1
2	27370/168F	Starting flange	1
3	19722/168F	Flywheel fan	1
4	27500/168F	Flywheel	1

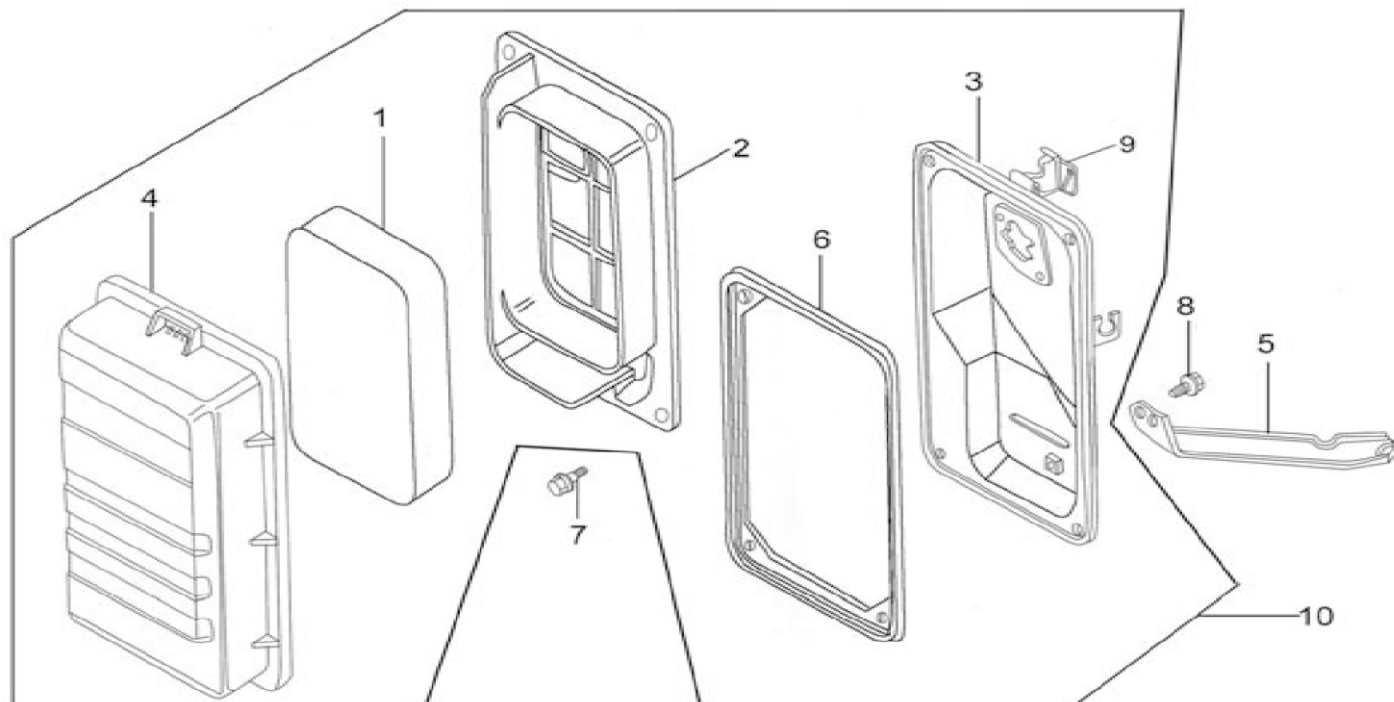


**IGNITION COIL
FIGURA 11/TABLA 11**



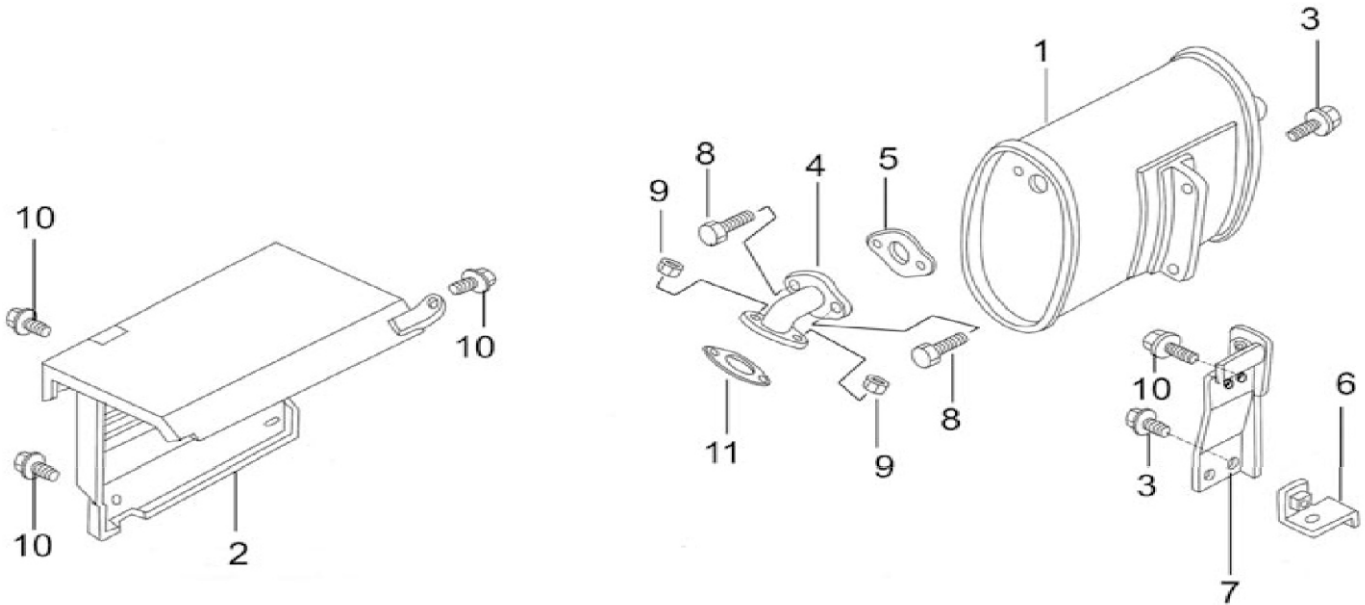
ITEM	PART NO.	DESCRIPTION	QTY.
1	GB5787-86	Screw M6×22	2
2	34410/168F	Extinguishing cable	1
3	34310/168F	Spark plug cap	1
4	34500/168F	Ignition coil unit	1
5	34510/168F	Ignition coil	1

**AIR CLEANER ASSY
FIGURA 12/TABLA 12**



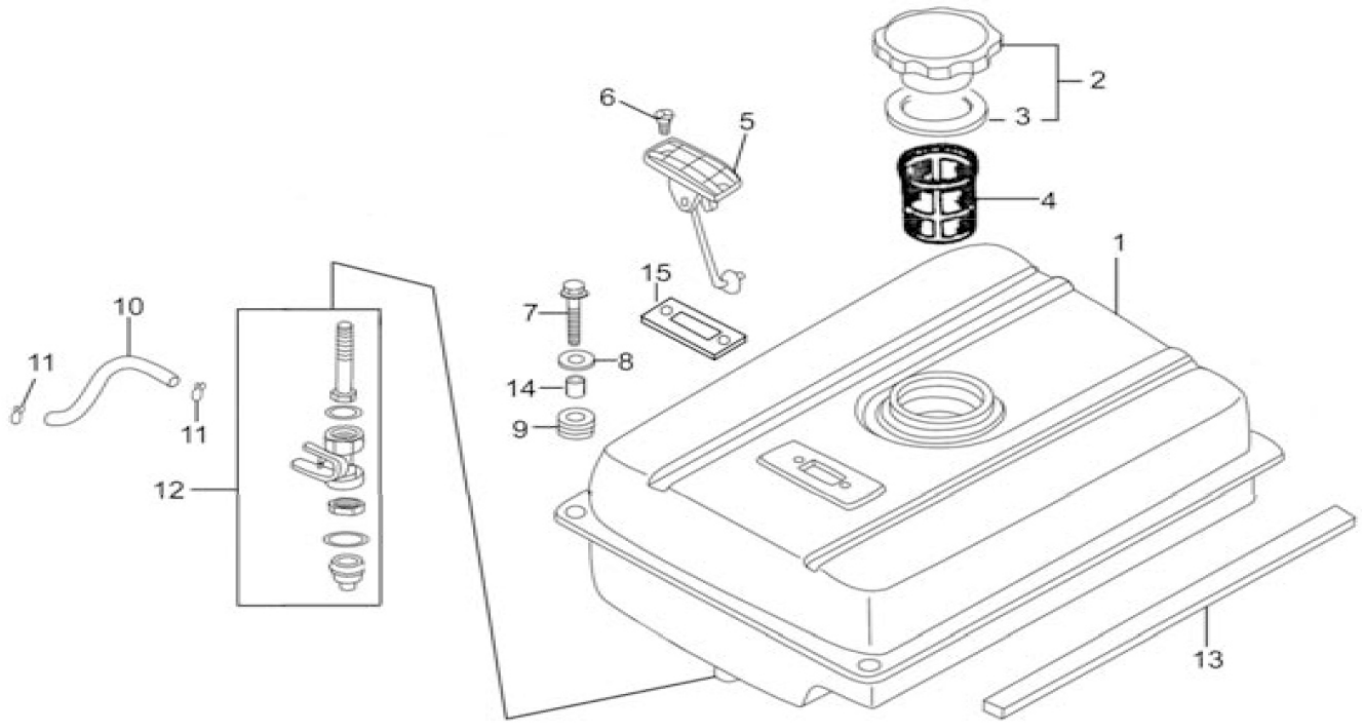
ITEM	PART NO.	DESCRIPTION	QTY.
1	17132/168F-BV	Filter element	1
2	17183/168F-BV	Retainer, filter element	1
3	17141/168F-BV	Air cleaner case	1
4	17111/168F-BV	Air cleaner cover	1
5	17171	Air cleaner stay	1
6	17145/168F-BV	Gasket	1
7	17113/168F-BV	Bolt	4
8	GB5787-86	Bolt M6×12	1
9	17160/168F-BV	Hinge	2
10	17100/168F-BV	Air cleaner Assy	1

MUFFLER ASSY
FIGURA 13/TABLA 13



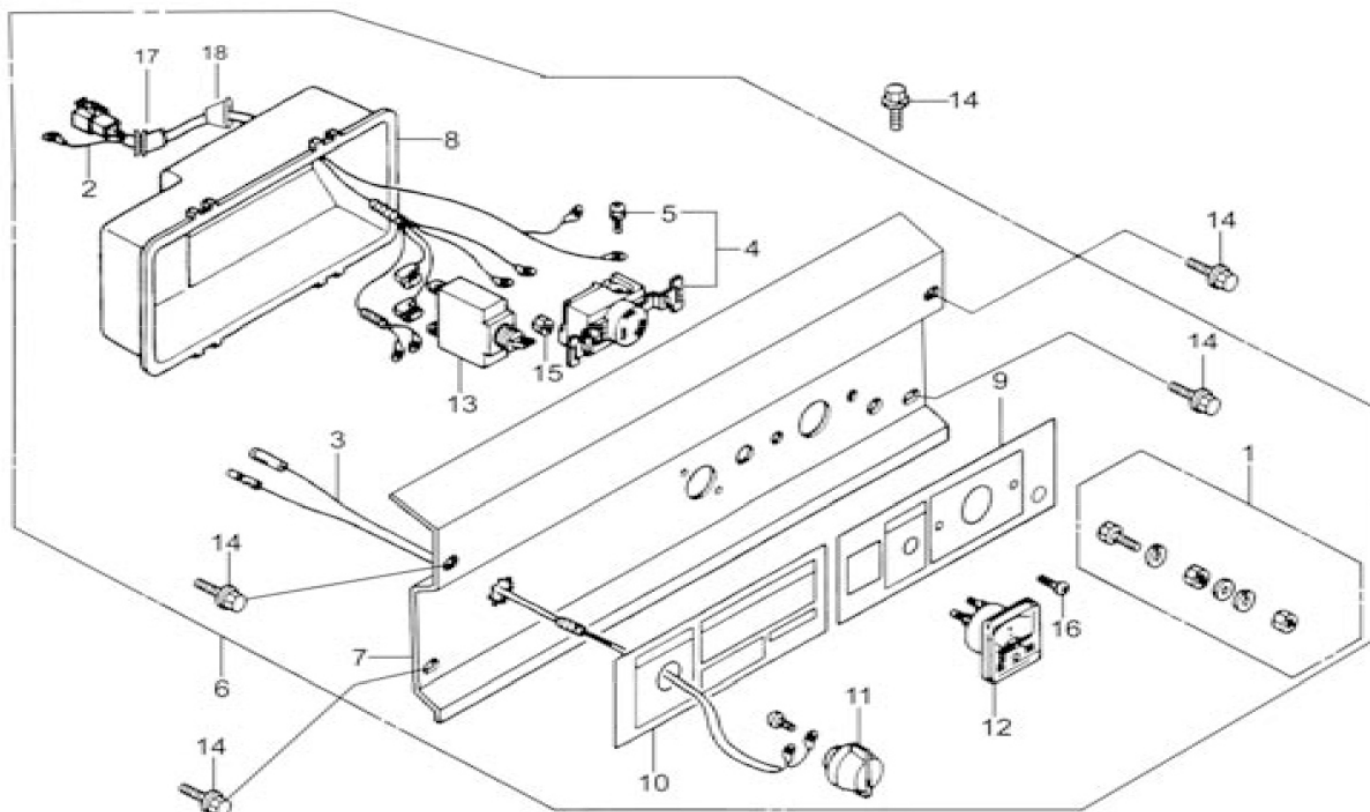
ITEM	PART NO.	DESCRIPTION	QTY.
1	18300/168F-BV	Muffler	1
2	18611	Muffler guard	1
3	GB5787-86	Flange bolt M8×16	3
4	18110/168F-BV	Exhaust pipe comp.	1
5	18221/168F-BV	Muffler gasket	1
6	18720	Supporting plate	1
7	18710	Muffler stay	1
8	GB5787-86	Bolt M8×25	2
9	GB6187-86	Nut M8	2
10	GB5787-86	Flange bolt M6×12	6
11	12255/168F	Exhaust pipe gasket	1

**FUEL TANK ASSY
FIGURA 14/TABLA 14**



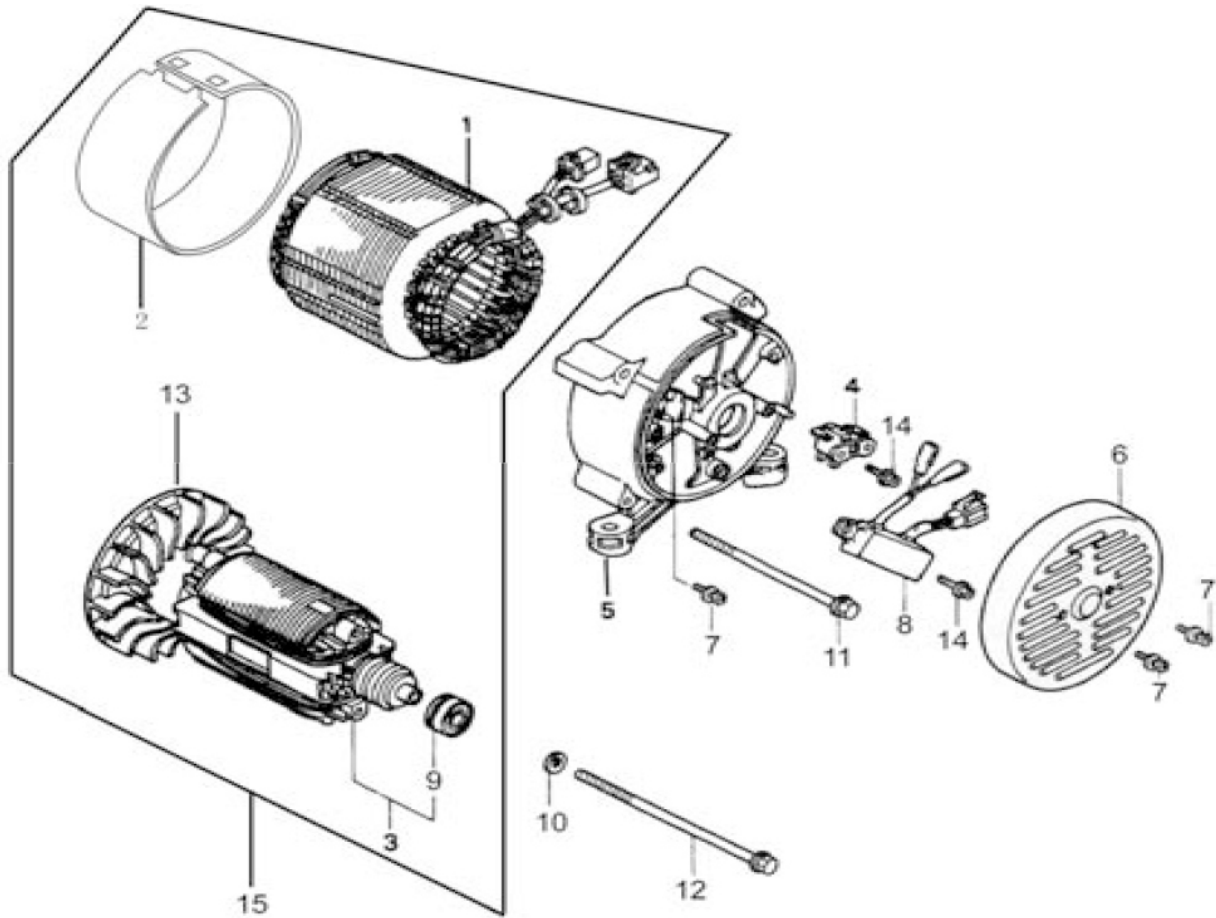
ITEM	PART NO.	DESCRIPTION	QTY.
1	16610	Fuel tank	1
2	16500	Fuel filler cap comp.	1
3	16521	Packing ring	1
4	16916	Fuel filter	1
5	37820	Fuel sensor	1
6	GB819-85	Screw M5×10	2
7	GB5787-86	Flange bolt M6×22	4
8	16821	Washer	4
9	16811	Cushion	4
10	16931	Outlet pipe $\phi 9 \times \phi 4.5 \times 130$	1
11	16937/168F	Tube clip	2
12	16930	Fuel cock	1
13	16812	Stripe, fuel tank	1
14	16824	Fitting brush, fuel tank	4
15	37825	Gasket, fuel sensor	1

CONTROL PANEL FIGURA G-01/TABLA G-01



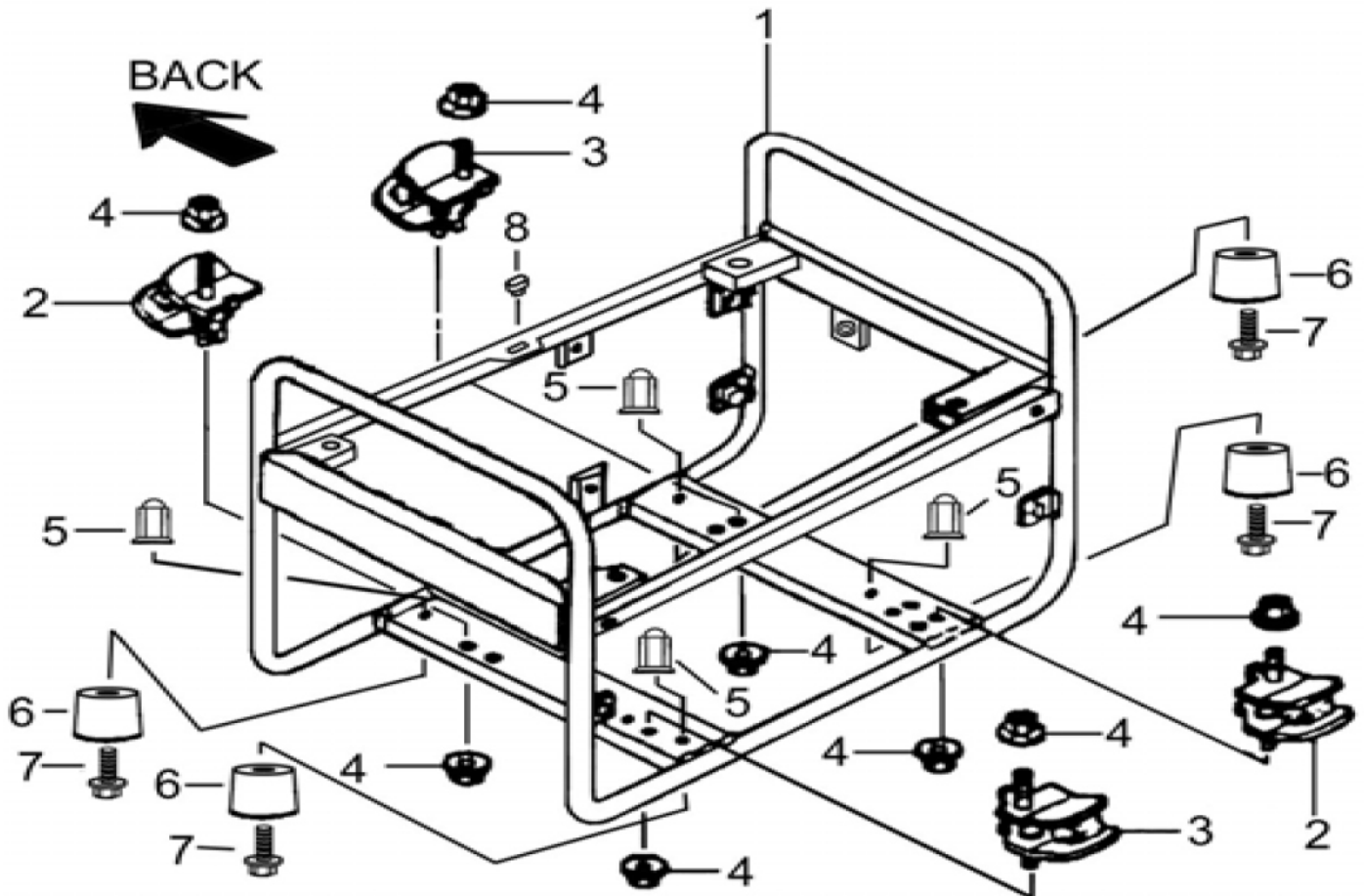
ITEM	PART NO.	DESCRIPTION	QTY.
1	32520	Earth terminal set	1
2	32100	Wire harness Assy	1
3	32310	Switch wire	1
4	35510	Consent 30A	1
5	GB5787-86	Bolt M4×10	3
6	37300	Control panel Assy	1
7	37310	Control panel	1
8	37321	Control panel case	1
9	68511	Panel switch mark,RH	1
10	68512	Panel switch mark,LH	1
11	35410	Ignition switch	1
12	37420	Voltmeter	1
13	31710	Circuit protector (10A)	1
14	GB5787-86	Flange bolt M6×12	4
15	GB6187-86	Nut M4	2
16	GB819-85	Pan screw M4×10	2
17	32115	Boot, AC output wire	1
18	32116	Boot, main wire harness	1

GENERATOR
FIGURA G-02/TABLA G-02

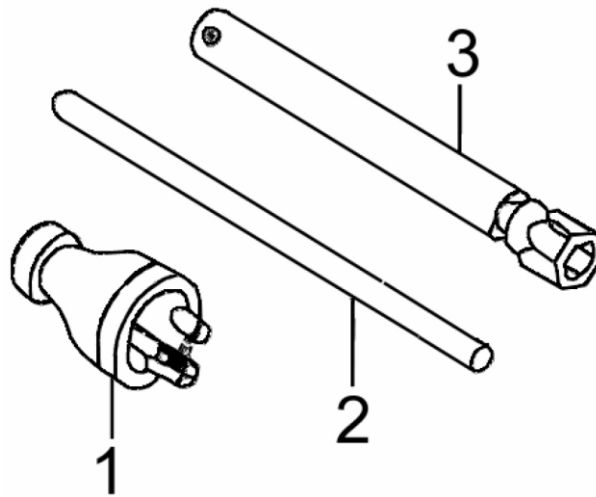


ITEM	PART NO.	DESCRIPTION	QTY.
1	31200	Stator Assy	1
2	31936	Stator cover	1
3	31100	Rotor comp.	1
4	31370	Brush Assy	1
5	31411	Generator stay	1
6	31938	Generator end cover	1
7	31995	Bolt M5×12	3
8	31600	Voltage regulator	1
9	GB276-89	Bearing 6202-2RS	1
10	31134	Plain washer	1
11	31931	Flange bolt M6×125	4
12	31933	Bolt M8×180	1
13	31141	Generator fan	1
14	31996	Bolt M5×14	3
15	30100	Stator & rotor Assy	1

FRAME
FIGURA G-03/TABLA G-03



ITEM	PART NO.	DESCRIPTION	QTY.
1	41100	Frame comp	1
2	41310	Bottom rubber A	2
3	41320	Bottom rubber B	2
4	GB6177-86	Flange nut M8	8
5	GB802-88	Nut M6	4
6	41350	Cushion, frame	4
7	GB5787-86	Bolt M6×12	4
8	41116	Rubber pad, frame	1

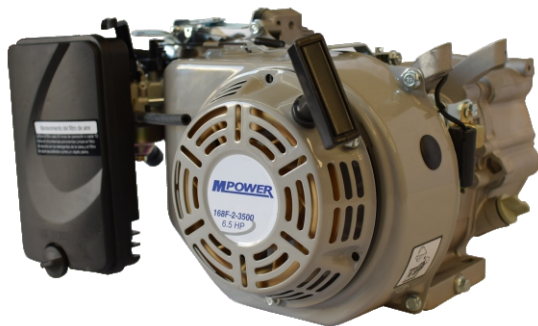


ITEM	PART NO.	DESCRIPTION	QTY.
1	35610	Plug (30A)	1
2	58122	Extension bar	1
3	58121	Sparking plug wrench(short)	1

MPOWER

MANUAL DE PARTES

MOTOR MPOWER 6.5HP
CÓNICO PARA
GENERADOR 3500
168F-2B



LADA SIN COSTO
01.800.506.82.86

SÍGUENOS EN:

YouTube



www.mpower.com.mx

Km 126.5 Carretera Federal México-Puebla, Momoxpan, Cholula, Puebla.
MÉXICO. CP 72760